



TRUFLO™

QUALITY ♦ VALUE ♦ SERVICE



A New Vision
for Quality PumpsSM

www.truflo.com

A New Vision for Quality Pumpssm



COMPANY PROFILE

ANSI PUMPS
OVERVIEW

API PUMPS
OVERVIEW



Truflo Pumps, Inc. is a worldwide process pump manufacturer located in Greensboro, North Carolina, U.S.A. Our operations include several direct production facilities located internationally as well as many local support centers. Truflo Pumps has been in the pump manufacturing business since 1984. Since 1999, we have been manufacturing our products under the TRUFLO® mark, the brand currently recognized worldwide.

Truflo has developed a wide array of process pumps for various industries including refineries, petrochemical plants, chemical plants, paper mills, mining, pharmaceutical, steel, textiles, food and beverage, plating, chemical injection, pipelines, boiler feed, power and utility, automotive, and OEMs.

As a company that supplies world-standard products, Truflo aspires to be your top choice for all your ANSI and API pumps.

ANSI Pumps

See ANSI section for detailed specifications (additional pumps available)



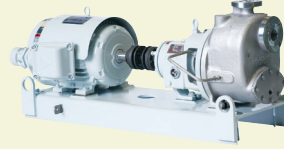
DAP Series



MAP Series



TNP Series



DSP Series



DVT Series

API Pumps

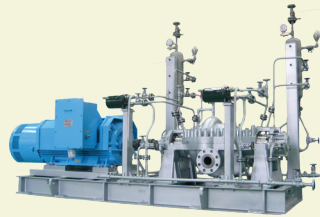
See API section for detailed specifications (additional pumps available)



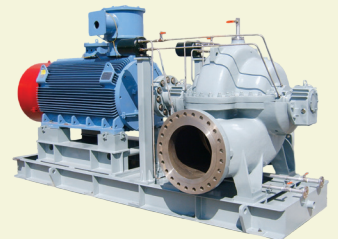
TSP Series



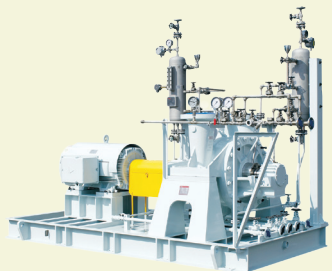
TMP Series



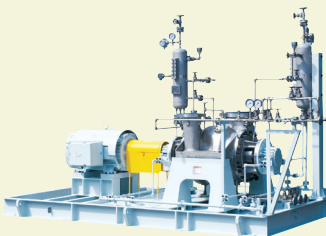
TSMP Series



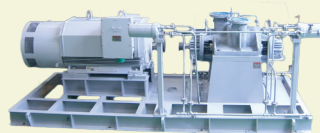
DSV Series



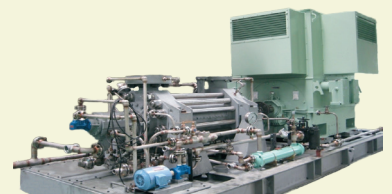
TDP Series



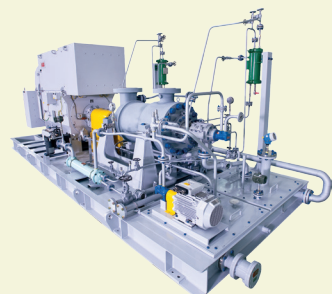
TDSP Series



TSTP Series



RSMP Series



RSMP-B Series



TLP Series



TVCP Series



TVSP Series

ANSI PUMPS

Truflo has a full range of pumps for the Process and Chemical Industries including the ANSI process pump (DAP), the metallic magnetically driven pump (MAP) for zero-leakage applications, the non-metallic pump (TNP) for corrosive applications, the DSP for self-priming applications, and the vertical in-line pump (DLP).

TRUFLO® ANSI PUMPS

DAP	Horizontal Process Pump – ANSI B73.1 (OH1)
MAP	Metallic Magnetic Drive Pump – ANSI B73.3 (OH1)
TNP	Non-Metallic Magnetic Drive Pump – ANSI B73.3 (OH1)
DSP	Self-Priming Process Pump – ANSI B73.1 (OH1)
DLP	Vertical In-Line Process Pump – ANSI B73.2 (OH3)
DVT	Vertical Sump Pump – ANSI B73.1 (VS4)

DAP Series

Horizontal Process Pump – ANSI B73.1 (OH1)

The **TRUFLO® DAP Series** is designed for highly corrosive and erosive service conditions, making it the top solution for the chemical process industry.

This series is manufactured in accordance with ANSI B73.1M specifications; it is available in various sizes, and has a broad range of material selection. The dimensional standardization of the **DAP Series** pumps allows for easy interchangeability with other ANSI compliant pumps and provides for effortless maintenance and parts stock.

FEATURES

- 🌀 Max. Impeller: 17"
- 🌀 Max. Capacity: 6500 gpm (1476 m³/h) at 1750 rpm
- 🌀 Max. Head: 732 ft (223 m) at 3500 rpm
- 🌀 Temperature to 700°F (371°C) with high temperature application option
- 🌀 Available in 22 pump sizes

- 🌀 Available Material: DCI, WCB, CF8, CF8M, CD4M, CN7M, Hastelloy B&C
- 🌀 Fully open impeller investment casting
- 🌀 Standard labyrinth oil seal
- 🌀 Back pull-out design for easy maintenance
- 🌀 Excellent interchangeability
- 🌀 ISO 9001 certified by LRQA in 1998

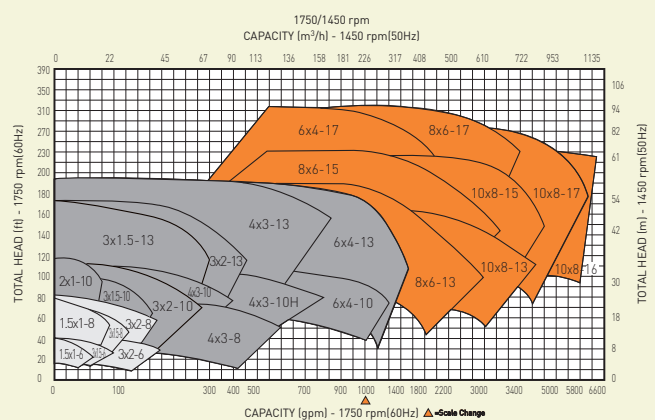
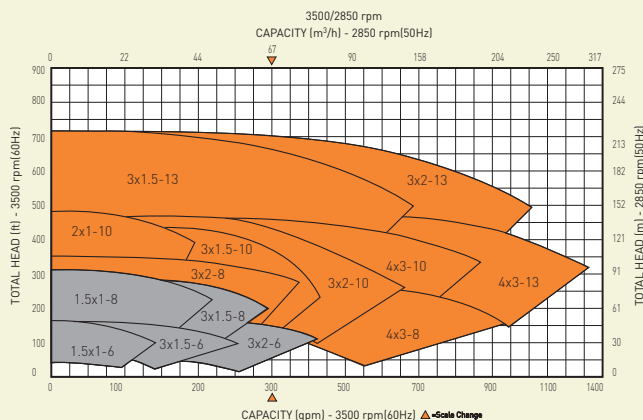
APPLICATIONS

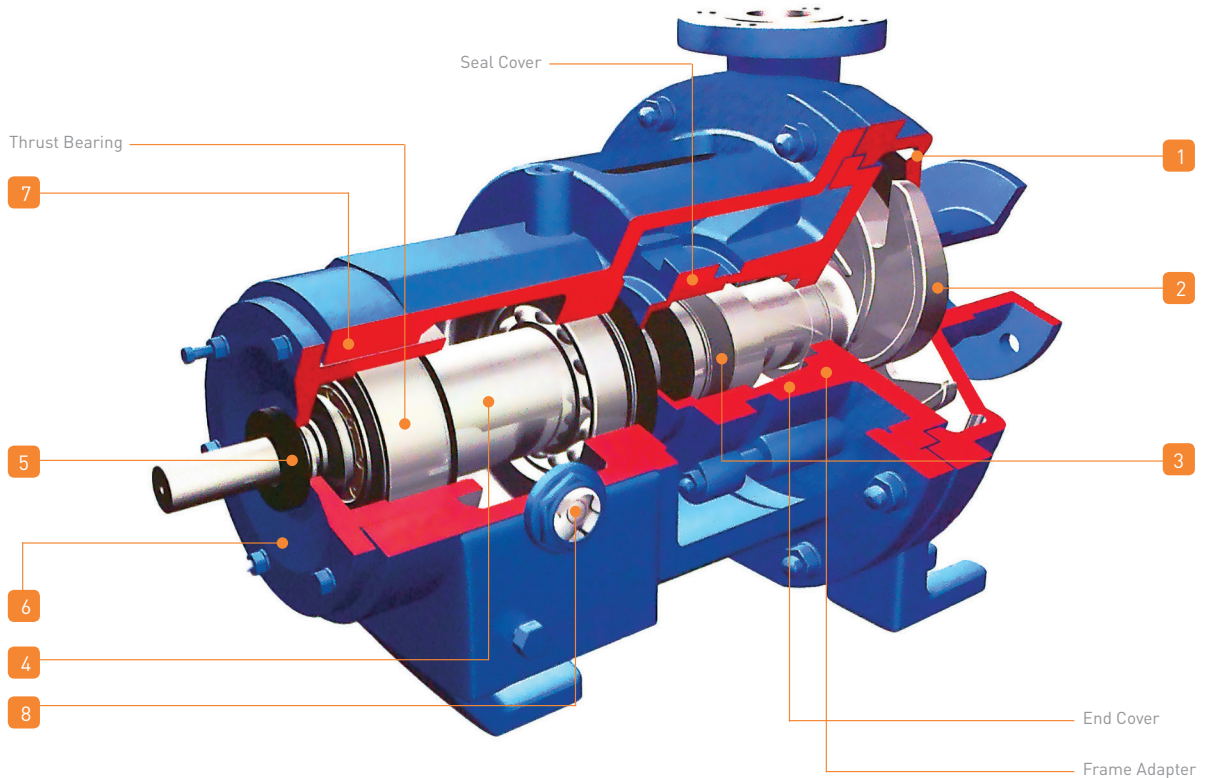
- 🌀 Chemical process industry
- 🌀 Textile industry
- 🌀 Refineries
- 🌀 General industry
- 🌀 Pulp and paper industry
- 🌀 Steel and mill industry
- 🌀 Pharmaceutical industry
- 🌀 Food and beverage industry
- 🌀 Semiconductor industry
- 🌀 Water and waste treatment
- 🌀 Foundries
- 🌀 Wood products

DAP Series

Performance Curves

These diagrams are for reference only and subject to change without prior notice. Please consult factory for exact performance curves.





1. CASING

Top discharge, self-venting.
Standard 150 lb FF flanges.
Back pull-out design.
Optional centerline mounting support.

2. IMPELLER

Standard investment casting open impeller.
Design for chemical process.

3. SHAFT SEALING

Design for various seal arrangement.

4. SHAFT & BEARINGS

Heavy-duty shaft design for minimum deflection.

5. OIL SEAL

Standard labyrinth oil seal to protect oil against contamination and extend the bearing & shaft life.

6. BEARING HOUSING

Easy to maintain impeller clearance.

7. BEARING FRAME

Heavy-duty design to reduce the loads on shaft.

8. OIL SIGHT GLASS

Standard 1D sight glass for easy view.

MAP Series

Metallic Magnetic Drive Pump – ANSI B73.3 (OH1)

The **TRUFLO® MAP Series** magnetically driven pumps are the most economic and efficient solution for no-leakage service. These pumps were designed to eliminate leakage problems commonly associated with centrifugal pumps with mechanical seals.

The **MAP Series** was developed to conform to ANSI dimensions, allowing our customers to replace ANSI pumps without any corrections to piping systems or foundations. The material of the **MAP Series** ranges from DCI to Hastelloy C depending on liquid properties.

FEATURES

- 🌀 14 sizes available
- 🌀 Max. Capacity: 2450 gpm (556 m³/h) at 1800 rpm
- 🌀 Max. Head: 656 ft (200 m) at 3500 rpm
- 🌀 Temperatures to 570°F (300°C)
- 🌀 Available Material: WCB, CF8, CF8M, CD4M, CD4MCU, CN7M, Hastelloy B&C
- 🌀 Perfect construction to prevent leakage of liquids
- 🌀 Designed for easy maintenance
- 🌀 ANSI B73.3 dimension
- 🌀 Zero leakage, sealess pump

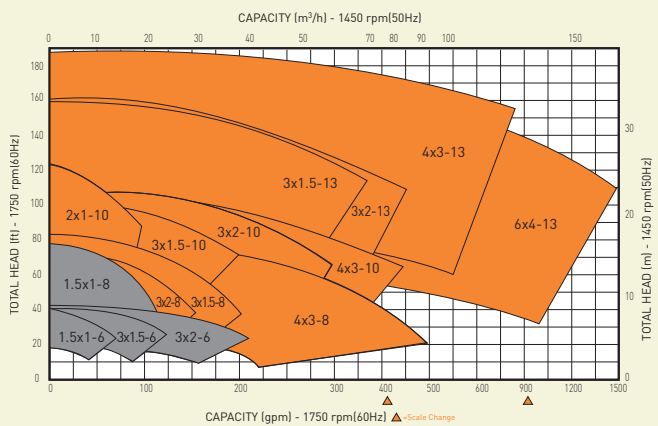
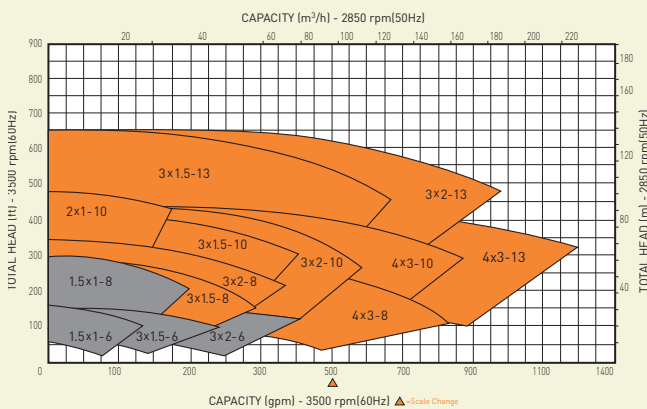
APPLICATIONS

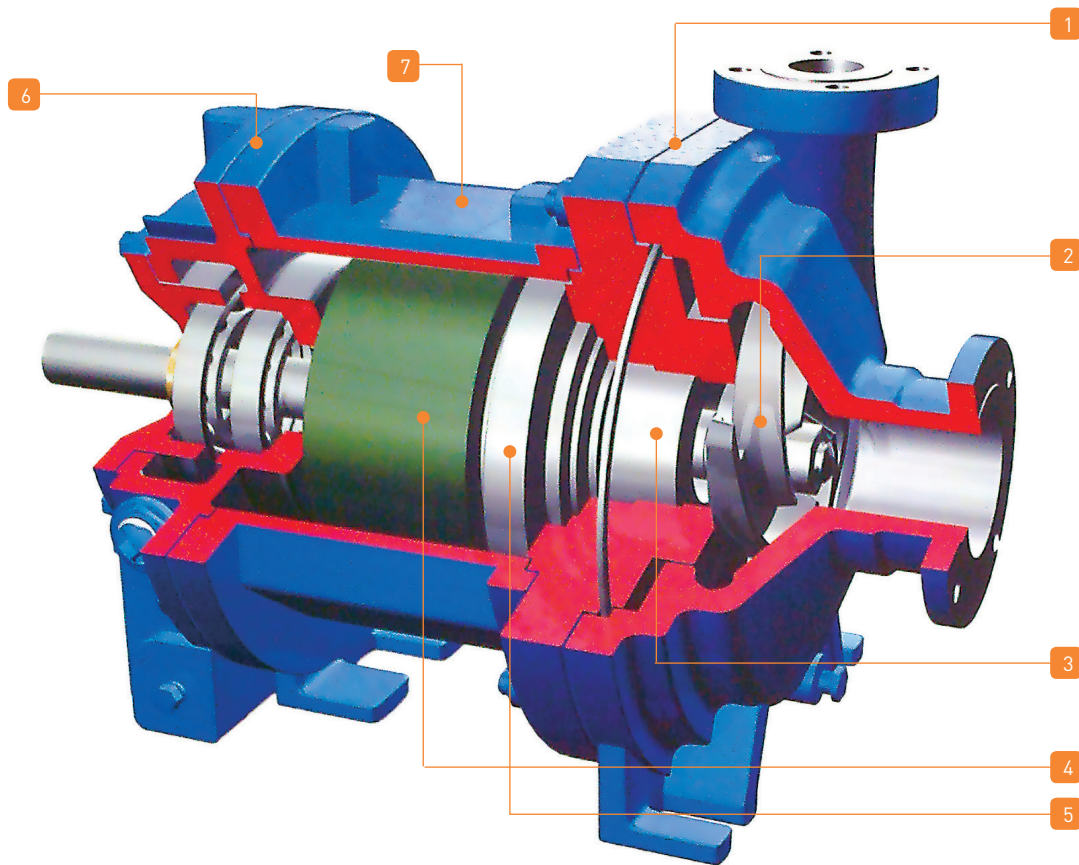
- 🌀 Volatile organic chemicals
- 🌀 Liquidized gas
- 🌀 Explosive liquids
- 🌀 Irritants
- 🌀 Seal sensitive services
- 🌀 Hazardous services

MAP Series

Performance Curves

These diagrams are for reference only and subject to change without prior notice. Please consult factory for exact performance curves.





1. CASING

Designed to meet ANSI B73.3 Dimension (JIS flange dimension available).
Standard 150# FF flanges.
Interchangeable with standard ANSI process pump (DAP series).

2. IMPELLER

Investment casting.
Designed for process industry.
Standard CF8M open impeller.

3. INNER MAGNET ASSEMBLY

Standard 316SS shaft.
Shaft has internal flow path for cooling and solids removing.
Uses earth magnet for no slips and synchronous drive.
Standard neodymium magnets. Samarium cobalt magnets are available for high temperature applications.

4. OUTER MAGNET

Cast body of magnet gives exceptional strength and no breakage.

5. REAR CONTAINMENT

Standard 316SS rear containment.
Other materials are available upon request (contact factory)

PPS: Good resistance to solvents.

Zirconia: Good erosion and corrosion resistance.

No energy loss by eddy current.

Hastelloy C-276: Good corrosion resistance.

No energy loss by eddy current.

6. BEARING FRAME

Used for B type installation.
Standard labyrinth oil seal to improve shaft and bearing life.
Standard 1D sight glass.
Long coupled available upon request.

7. FRAME ADAPTER

Cast iron is standard material.
CF8 and CF8M are available for corrosive environment.

TNP Series

Non-Metallic Magnetic Drive Pump – ANSI B73.3 (OH1)

The **TRUFLO® TNP Series** are magnetically driven sealless pumps with a combination of materials to provide the mechanical strength of metal and corrosion resistance of a non-metallic lining. All our **TNP Series** designs have a non-rotating shaft that allows easy maintenance and improved performance over standard rotating shaft designs. Our rear containment shell, with its dual laminate of a fluoropolymer, is then reinforced with a vinyl ester composite for high burst pressure resistance. The unique no-weld impeller design allows for a more chemical impervious barrier. **TNP Series** outer magnet assemblies are designed for protection against corrosive environments.

FEATURES

- ⚙️ Flowrates to 700 gpm (159 m³/h)
- ⚙️ TDH up to 330 ft (101 m)
- ⚙️ Temperature ranges from -120°F (-85°C) to 250°F (121°C)
- ⚙️ Impeller diameters range from 5"-8"
- ⚙️ Sealless magnetic design
- ⚙️ Rare earth magnets allow for superior no-slip performance
- ⚙️ ETFE or PFA parts handle a wide range of corrosive fluids and solvents up to 250°F

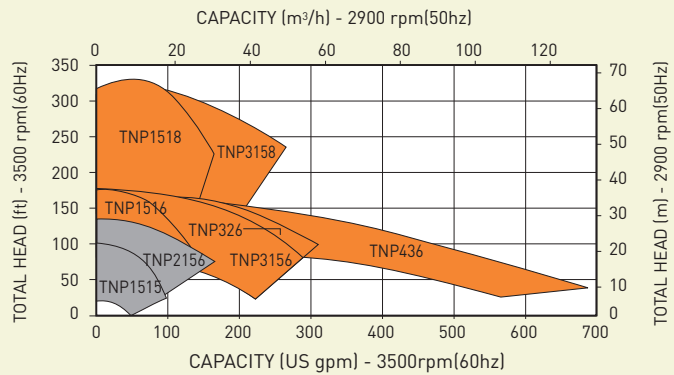
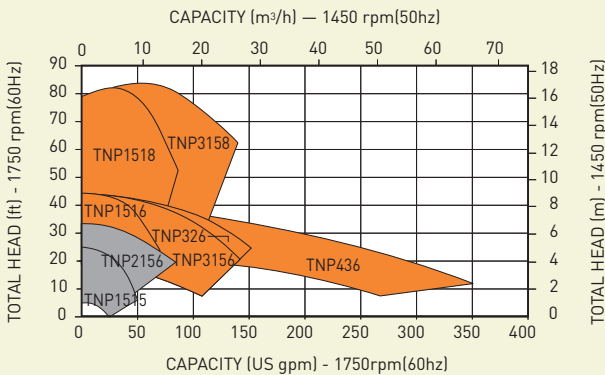
APPLICATIONS

- ⚙️ Acids
- ⚙️ Caustics
- ⚙️ Solvents
- ⚙️ Zero emission chemicals

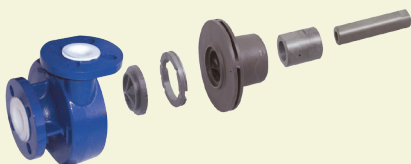
TNP Series

Performance Curves

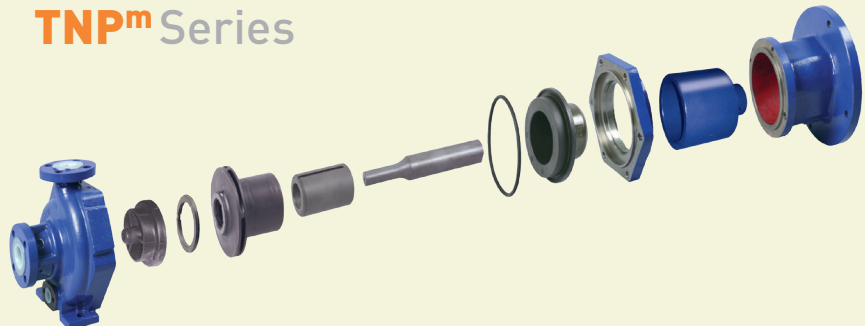
These diagrams are for reference only and subject to change without prior notice. Please consult factory for exact performance curves.

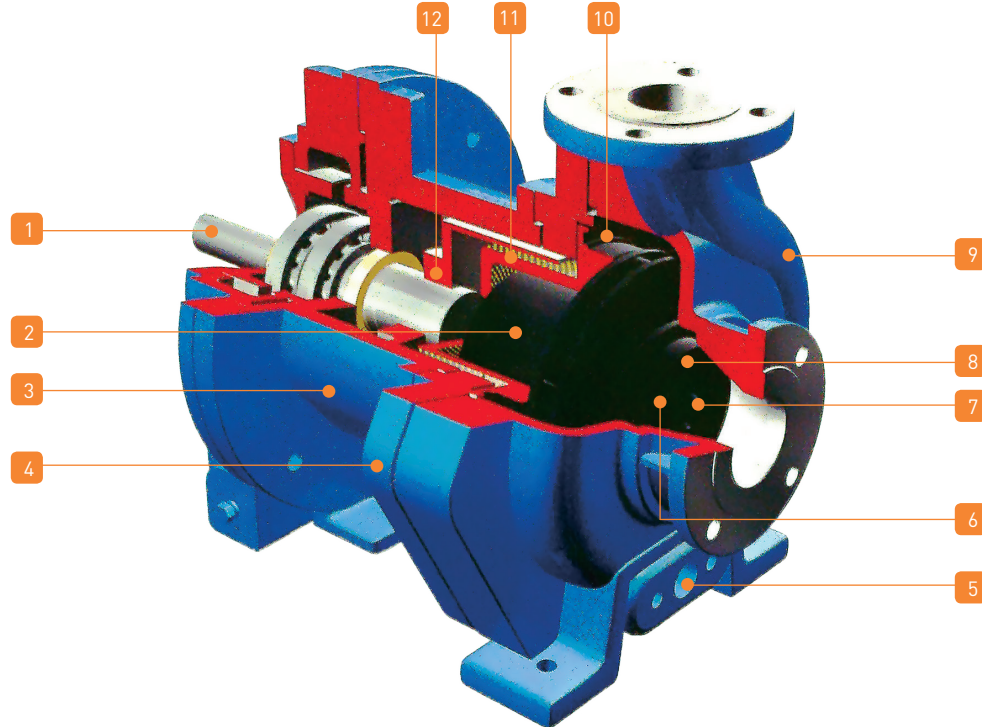


TNP^s Series



TNP^m Series





1. SHAFT

This non-rotating design allows for easy installation and maintenance. This shaft is oversized to handle a variety of pump requirements.

2. IMPELLER/INNER MAGNET

Our unique CFR/ETFE injection molding process ensures high quality, stronger, and more chemically resistant impellers. Our process has eliminated welding that can contribute to premature impeller failure.

3. BRACKET

Brackets are designed to mate with several motor sizes (NEMA and IEC motor adaptors).

4. REAR CASING SUPPORT

5. DRAIN

Our casing drain is a standard feature that allows for easy and safe removal of chemicals in the casing if required.

6. MAIN BUSHING

Our large, one-piece, high performance bushing is grooved to allow for field and particle flow through the pump.

7. SHAFT SUPPORT

One-piece construction for easy removal without special tools.

8. MOUTH RING

Easily removable for quick field replacement. The unique design allows for handling of a variety of chemicals and specific heat parameters. Available in SiC.

9. CASING

The top discharge ANSI configuration allows for maximum pump interchangeability. Our unique Roto-Molding process provides for equal delivery of liner material throughout casing for improved corrosion resistance and longer life. Available in ETFE.

10. O-RING

The O-ring is available in either EPDM, Viton, or Teflon encapsulated.

11. REAR CONTAINMENT SHELL

Our shell is an injection molded fluoropolymer with a composite encapsulation. This design offers one of industry's strongest containment shell burst pressure resistance.

12. OUTER MAGNET

Outer magnet makes it possible to run the pump at rated torque throughout the temperature range without having to use special motors or starters. Our magnets are fully encapsulated for superior protection from corrosion.

CFR - Carbon Fiber Reinforced

ETFE - Ethylene-Tetra-Flouro-Ethlene fluoropolymer

GFR - Glass Fiber Reinforced

DSP Series

Self-Priming Process Pump – ANSI B73.1 (OH1)

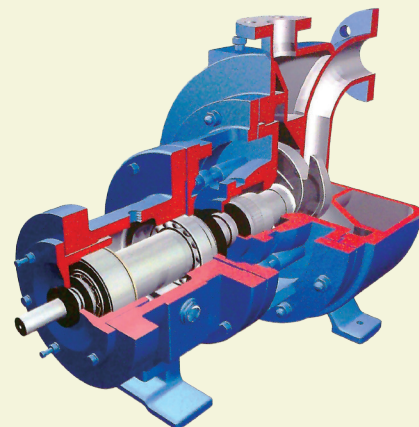
FEATURES

- 🌀 15 sizes available
- 🌀 Max. Capacity - 1233 gpm (280 m³/h)
- 🌀 Max. Head - 427 ft (130 m) at 3500 rpm
- 🌀 Max. Suction lift - 20 ft (6 m)
- 🌀 Temperature to 500°F (260°C) with high temperature application option
- 🌀 Available Material: WCB, CF8, CF8M, CD4M, CN7M, Hastelloy B&C

- 🌀 Interchangeable with DAP series (except casing)
- 🌀 Same features as DAP series

APPLICATIONS

- 🌀 Mill sump service
- 🌀 Dikes and containment areas
- 🌀 Wastewater pond service with portable design
- 🌀 Bulk tank farms
- 🌀 Rail car unloading
- 🌀 Unloading service



DLP Series

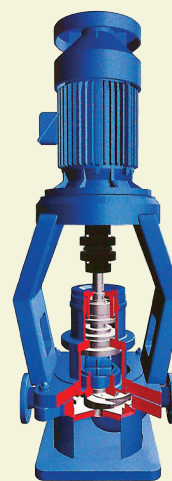
Vertical In-Line Process Pump – ANSI B73.2 (OH3)

FEATURES

- 🌀 Max. Capacity - 660 gpm (150 m³/h)
- 🌀 Max. Head - 390 ft (120 m)
- 🌀 Temperature to 350°F (180°C)
- 🌀 Max. Pressure - 230 psi (16 kg/cm²)
- 🌀 Max. Power - 200 HP (150 kW)

APPLICATIONS

- 🌀 Caustic transfer
- 🌀 Liquid nitrogen
- 🌀 Waste acid recovery
- 🌀 Pickle liquor circulation
- 🌀 Monomer/polymer transfer



DVT Series

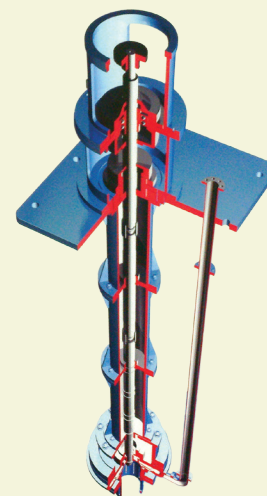
Vertical Sump Pump – ANSI B73.1 (VS4)

FEATURES

- 🌀 Max. Capacity - 4840 gpm (1,100 m³/h)
- 🌀 Max. Head - 760 ft (230 m)
- 🌀 Temperature to 350°F (180°C)
- 🌀 Max. Pressure 230 psi (16 kg/cm²)
- 🌀 Max. Power - 350 HP (260 kW)

APPLICATIONS

- 🌀 Petrochemical processing
- 🌀 Drainage and slops
- 🌀 Industrial processes
- 🌀 Industrial sump wastes
- 🌀 Tank unloading



API PUMPS

Truflo Pumps, Inc. offers a complete range of API pumps designed per current API edition. We pride ourselves on high quality production of bare pumps or complex skid assemblies. With extremely quick deliveries, all our packages are manufactured to meet or exceed customers' expectations.

TRUFLO® API PUMPS

TSP	Single-Stage Process Pump – API 610 11th Edition (OH2)
TMP	Magnetic Drive Process Pump – API 685 2nd Edition (OH2)
TSMP	Multistage Turbine Pump – API 610 11th Edition (BB3)
DSV	Double Suction Split Case Volute Pump – API 610 11th Edition (BB1)
TDP	Single-Stage Double Suction Pump – API 610 11th Edition (BB2)
TDSP	Two-Stage Double Suction Pump – API 610 11th Edition (BB2)
TSTP	Two-Stage Single Suction Pump – API 610 11th Edition (BB2)
RSMP	Ring Section Multistage Pump – API 610 11th Edition (BB4)
RSMP-B	Horizontal Double Casing Multistage Pump – API 610 11th Edition (BB5)
TLP	Vertical In-Line Single-Stage Pump – API 610 11th Edition (OH3)
TVP	Vertical Single Casing Pump – API 610 11th Edition (VS1)
TVCP	Vertical Double Casing Pump – API 610 11th Edition (VS6)
TVSP	Vertical Sump Pump – API 610 11th Edition (VS4)

TSP Series

Single-Stage Process Pump – API 610 11th Edition (OH2)

The TRUFLO® **TSP Series** pump is the new standard for worldwide process needs. From the petroleum to the power and mining industries, the **TSP Series** overhung pump adds value, reliability and safety at user facilities. A wide range of applications and options, including inducers for low NPSHa systems, makes the **TSP Series** the industry leader. The **TSP Series** also comes standard with many options not available in other leading brands, including all investment casted enclosed impellers. Available in 33 sizes and casing configurations, all material combinations and better than industry standard deliveries, let the **TSP Series** be the answer to your next pumping question.

FEATURES

- ⚙️ API 610 11th Edition compliant
- ⚙️ 33 sizes available
- ⚙️ Maximum capacity: 8365 gpm (1900 m³/h)
- ⚙️ Temperatures up to 800°F (425°C)
- ⚙️ Head to 1120 ft (341 m)
- ⚙️ Enclosed impeller (investment casting)
- ⚙️ Excellent interchangeability
- ⚙️ 1200 maximum allowable working pressure
- ⚙️ Standard double volute on greater than 3" suction
- ⚙️ Available Material: S1, S4, S5, S6, S8, C6, A8, D1, D2

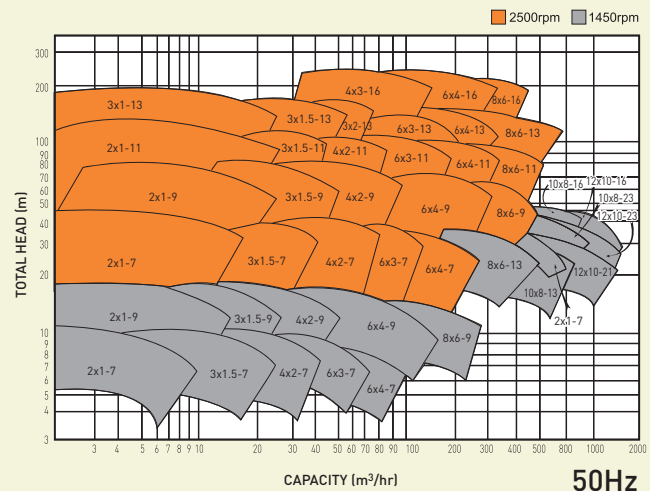
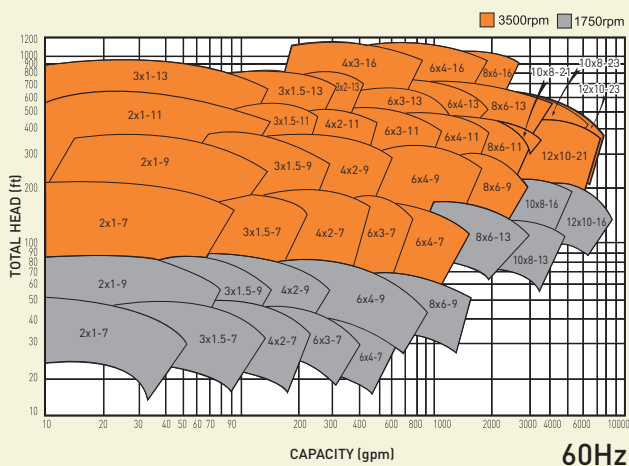
APPLICATIONS

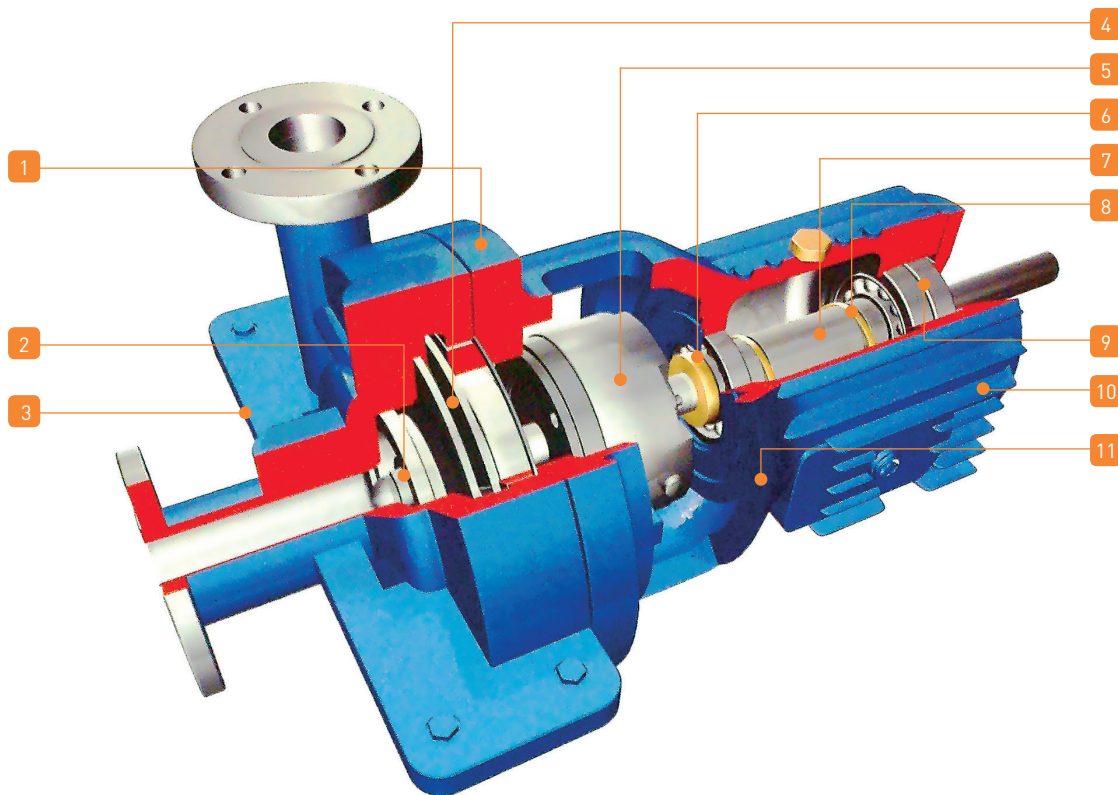
- ⚙️ Oil and gas production
- ⚙️ Refining and pipeline
- ⚙️ Power generation
- ⚙️ Mining

TSP Series

Performance Curves

These diagrams are for reference only and subject to change without prior notice. Please consult factory for exact performance curves.





1. CASING

Designed to meet API 610 11th Edition.
Standard 300# RF flanges.
Tangential discharge for hydraulic efficiency.
Standard dual volute design for 3 inch discharge or larger.

2. RENEWABLE WEAR RINGS

3. CASING & CENTERLINE MOUNT SUPPORT

Designed to meet API nozzle load criteria.

4. IMPELLER

Standard enclosed impeller for high efficiency.
Investment casting for better efficiency and low NPSH characteristic.
Balance grade: ISO G1.0.

5. SEAL CHAMBER

Designed to meet API 610 & API 682 standards.

6. DEFLECTOR & LABYRINTH OIL SEAL

Standard deflector & labyrinth oil seal applied with non-sparking material.

7. SHAFT

Heavy-duty shaft design guarantees minimum shaft deflection and maximum bearing and mechanical seal life.

8. OIL RING

Standard oil ring provides better bearing lubricating condition.
Other configurations available.

9. BEARING

Duplex angular contact thrust bearings and deep-groove radial bearings to meet API 610 requirements.

10. FINNED FRAME

Standard cast finned frame provides natural air cooling.
Optional cooling fan improves the cooling condition.

11. BEARING FRAME

Rigid design provides better vibration characteristics.
3 bearing frames cover all TSP models.
Metal-to-metal fits provide runouts and concentricities well within API 610 limits.

TMP Series

Magnetic Drive Process Pump – API 685 2nd Edition (OH2)

In recent years, environmental regulations have become more restrictive and severe forcing process industries to take necessary steps to eliminate leakage from equipment. Magnetically driven pumps have provided significant progress toward compliance with these regulations.

The **TRUFLO® TMP Series** of magnetically driven pumps provide a zero-leakage solution. Containing very few parts, **TMP Series** pumps are designed for easy and low cost maintenance, as well as excellent interchangeability.

All **TMP Series** pumps conform to API 685 2nd edition requirements. This series has a broad range of available sizes and materials.

FEATURES

- ⚙️ Designed to meet API 685 2nd ed.
- ⚙️ Temperatures up to 570°F (300°C)
- ⚙️ Power up to 300 hp x 3600 rpm
- ⚙️ Flows to 2640 gpm (600 m³/h)
- ⚙️ Head to 1120 ft (340 m)
- ⚙️ Fully enclosed impeller by investment casting
- ⚙️ Standard Sm2Co17 magnet
- ⚙️ Easy Maintenance

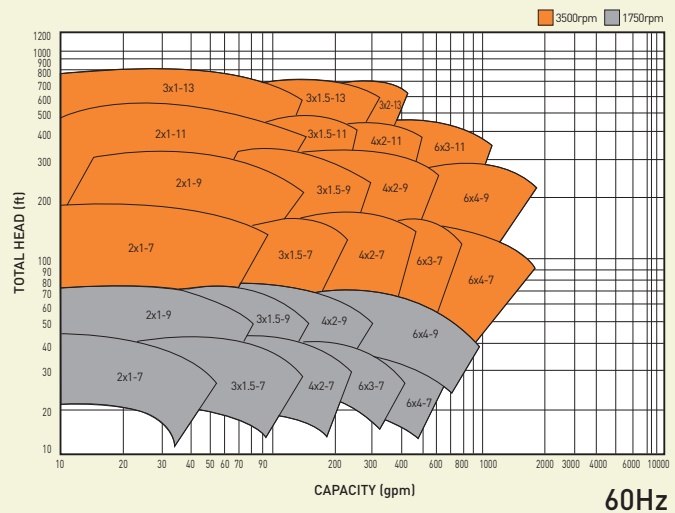
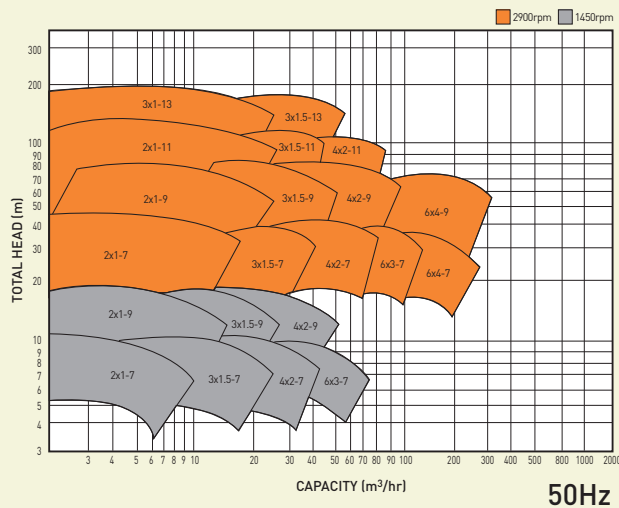
APPLICATIONS

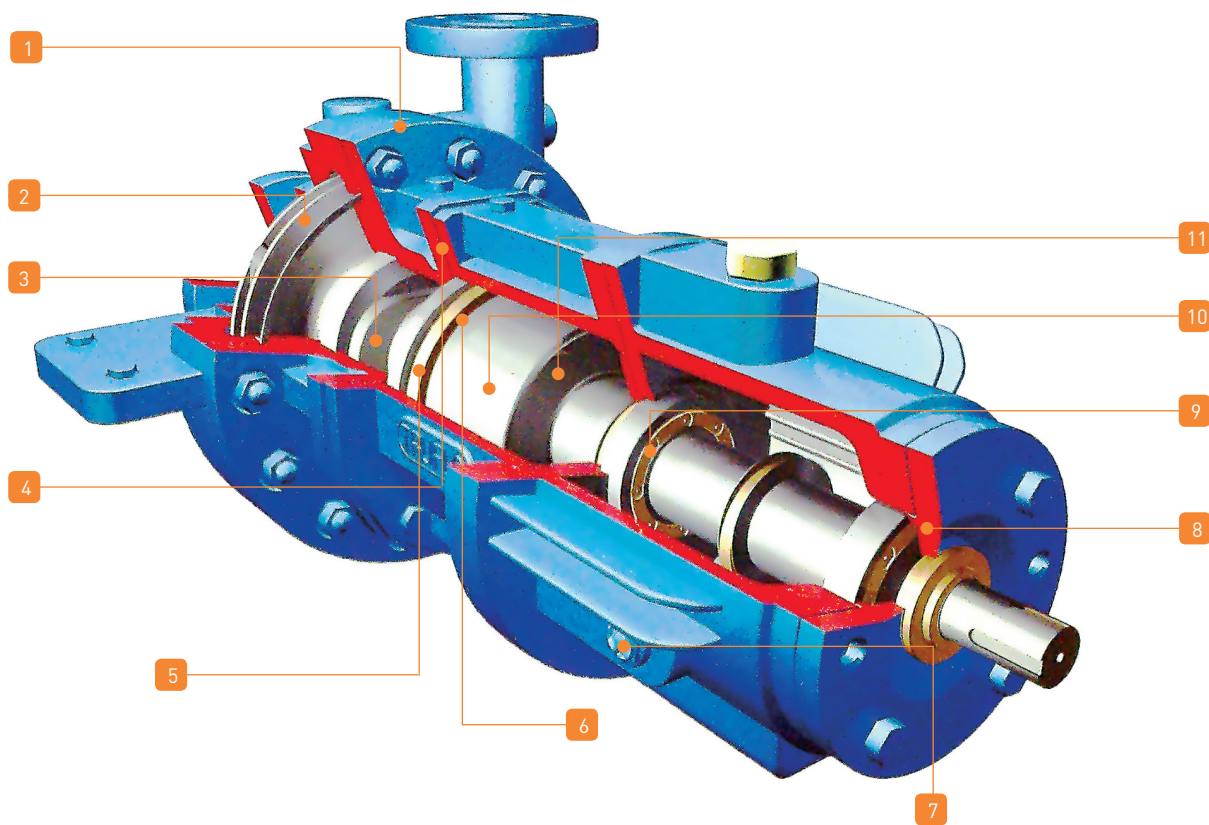
- ⚙️ Hard to seal fluids
- ⚙️ Zero emission requirements
- ⚙️ Hazardous fluids
- ⚙️ Retrofits of sealed pumps

TMP Series

Performance Curves

These diagrams are for reference only and subject to change without prior notice. Please consult factory for exact performance curves.





1. CASING

Standard 300lb RF flanges.
Tangential discharge.

2. IMPELLER

Fully enclosed type.
Investment casting.

3. JOURNAL BEARING

Standard material - Silicone Carbide.

4. REAR CONTAINMENT SHELL

Wide choice of material depending on application.

5. SAFETY DEVICE

Protect rear containment shell damage by outer magnet in case of bearing failure.

6. SECONDARY CASING

Secured liquid in case of primary casing failure.

7. TEMPERATURE DETECTOR

Monitoring rear containment shell temperature.
Other protective sensor-like leakage sensor are available.

8. BEARING FRAME

9. OIL SEAL

Special designed labyrinth type oil seal.

10. OUTER MAGNET ASSEMBLY

Strong rare earth magnet (Sm₂Co₁₇).
Maximum operating temperature: 570°F (300°C).

11. INNER MAGNET ASSEMBLY

TSMP Series

Multistage Turbine Pump – API 610 11th Edition (BB3)

The **TRUFLO® TSMP Series** is an advanced, re-designed multistage pump that has a proven operating history and a worldwide installation base. The **TSMP Series** is an axially split BB3 pump with enhanced features making it an extremely reliable and high performance pump well suited to a wide range of services.

The **TSMP Series** features a bigger shaft for less shaft deflection, larger sealing chamber to fit a wide range of single, dual, and tandem cartridge mechanical seals, and dynamically balanced impellers. A complete line of pumps of the **TSMP Series** ranges from sizes 3x2-7 up to 10x8-13 and most are available from 2 stage up to 16 stages. The **TSMP Series** is manufactured in a wide variety of materials per API guidelines.

FEATURES

- Available in sizes 3x2-7 up to 10x8-13
- Temperatures up to 400° F (205° C)
- Flows to 4400 gpm (999 m³/h)
- Head to 3930 ft (1198 m)
- API 610 11th Edition compliant
- 360° bearing housing available
- Investment cast impellers
- Investment cast diffusers
- Future design for low NPSH double suction 1st stage impeller
- Available Material: S1, S4, S5, S6, S8, C6, A8, D1, D2

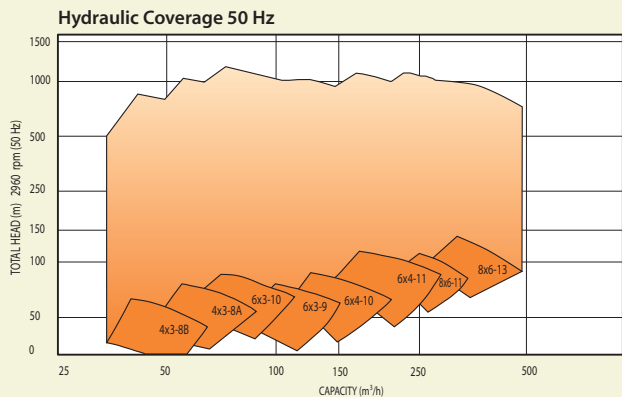
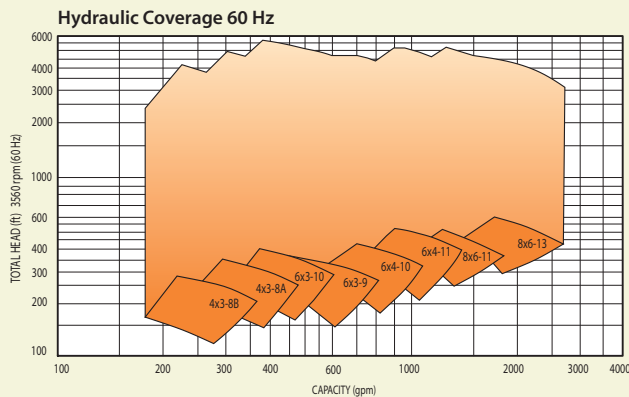
APPLICATIONS

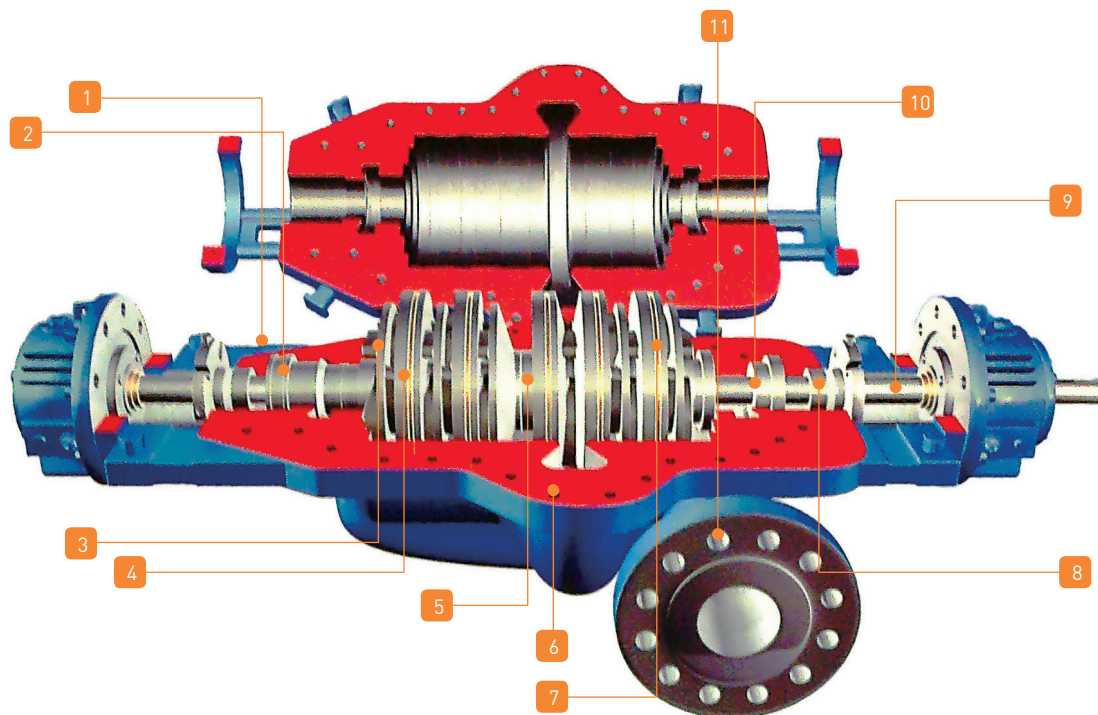
- Oil and gas production
- Refineries
- Pipelines
- Power generation
- Mining
- High pressure systems

TSMP Series

Performance Curves

These diagrams are for reference only and subject to change without prior notice. Please consult factory for exact performance curves.





1. CASING

Available in all materials listed in API 610 11th Edition. Designed to eliminate thermal stresses and distortion under high temperature and pressure applications.

2. THROAT BUSHING

Designed to reduce stuffing box pressure and extend mechanical seal life.

3. IMPELLER WEAR RING

Designed to help maintain the efficiency of the pump.

4. 1ST STAGE IMPELLER WITH DIFFUSER

Investment casted impeller in one piece with excellent hydraulic performance and dynamically balanced for smooth trouble-free running. Diffuser is designed to reduce the internal hydraulic losses.

5. DIAPHRAGM

Located between the opposed impellers that provides axial hydraulic balance and available in different materials.

6. STUD BOLT

Made of standard high tensile stud bolt material.

7. DIFFUSER O-RING

O-rings come in several different materials to ensure proper sealing between the individual diffusers.

8. SLEEVE NUT

Made of different material per API standards and holds rotating assembly within tolerances per API standards.

9. SHAFT

Designed to reduce deflection for longer bearing, mechanical seal, and wear ring life.

10. SLEEVE NUT O-RING

Available in different materials for proper sealing.

11. FLANGES

Suction and discharge flanges are ANSI B16.5 class 600 RF standard; other classes available.

DSV Series

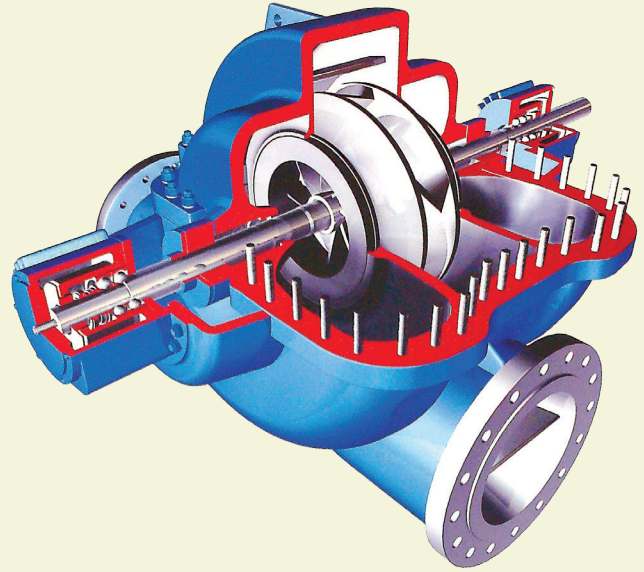
Double Suction Split Case Volute Pump – API 610 11th Edition (BB1)

FEATURES

- ⌚ Horizontal split casing for easy maintenance
- ⌚ Replaceable wear rings to protect impeller and casing
- ⌚ Flows to 57,000 gpm (12,945 m³/h)
- ⌚ Head to 690 ft (210 m)
- ⌚ Temperatures up to 350°F (180°C)
- ⌚ Wide range of mechanical seal arrangements
- ⌚ Available Material: S1, S4, S5, S6, S8, C6, A8, D1, D2

APPLICATIONS

- ⌚ Cooling tower
- ⌚ Quenching and leaching process
- ⌚ Raw water
- ⌚ Service water for power plants



TDP Series

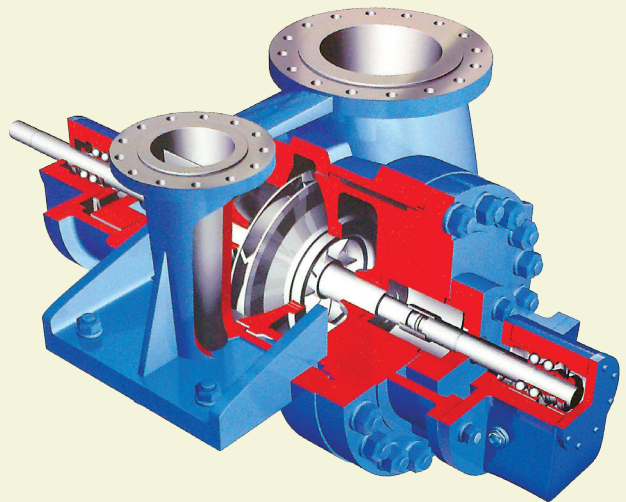
Single-Stage Double Suction Pump – API 610 11th Edition (BB2)

FEATURES

- ⌚ 360° Bearing Housing Available
- ⌚ Available Material: S1, S4, S5, S6, S8, C6, A8, D1, D2
- ⌚ Max. Capacity - 17,600 gpm (3997 m³/h)
- ⌚ Max. Head Rating - 1312 ft (400 m)
- ⌚ Max. Temperature - 850°F (455°C)

APPLICATIONS

- ⌚ Charge pumps
- ⌚ Feed pumps
- ⌚ Booster pumps
- ⌚ Refining process



TDSP Series

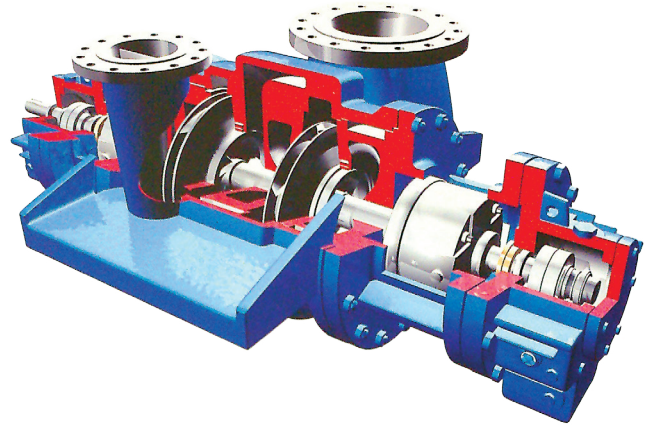
Two-Stage Double Suction Pump – API 610 11th Edition (BB2)

FEATURES

- ⚙ Max. Capacity - 10,500 gpm (2385 m³/h)
- ⚙ Max. Head Rating - 1300 ft (396 m)
- ⚙ Max. Temperature - 850° F (455°C)

APPLICATIONS

- ⚙ High temperature services
- ⚙ Chemical and petrochemical
- ⚙ Gasoline services
- ⚙ Boiler-feed booster services
- ⚙ Petroleum refining and production
- ⚙ Water and general industry



TSTP Series

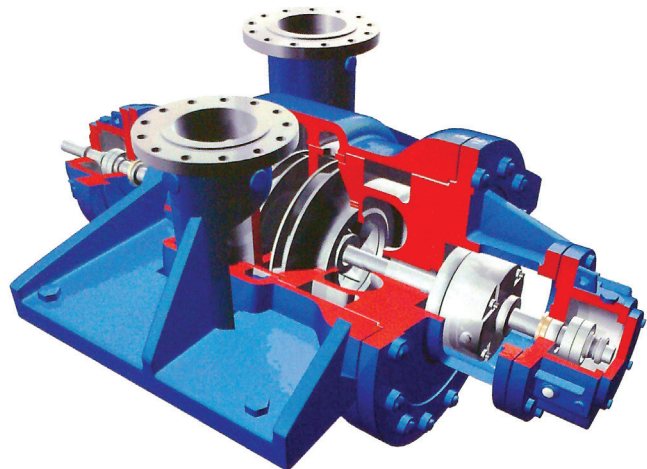
Two-Stage Single Suction Pump – API 610 11th Edition (BB2)

FEATURES

- ⚙ Max. Capacity - 10,500 gpm (2385 m³/h)
- ⚙ Max. Head Rating - 1300 ft (396 m)
- ⚙ Max. Temperature - 850° F (455°C)

APPLICATIONS

- ⚙ Petrochemical processing
- ⚙ Boiler-feed booster services
- ⚙ Water services
- ⚙ Gas industry services
- ⚙ Heavy-duty chemical processing
- ⚙ Water and general industry



RSMP Series

Ring Section Multistage Pump – API 610 11th Edition (BB4)

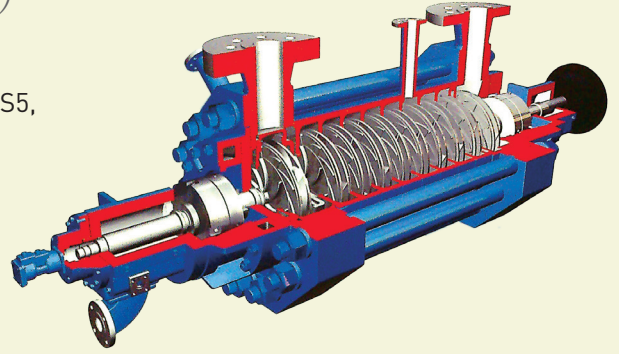
FEATURES

- API Compliant Materials
- Max. Capacity - 2200 gpm (500 m³/h)
- Max. Head Rating - 7870 ft (299 m)
- Max. Temperature - 660°F (350°C)
- Investment Cast Impellers and Stages

Available Material: S1, S4, S5, S6, S8, C6, A8, D1, D2

APPLICATIONS

- Boiler feed
- Booster
- Injection
- High pressure service



RSMP-B Series

Horizontal Double Casing Multistage Pump – API 610 11th Edition (BB5)

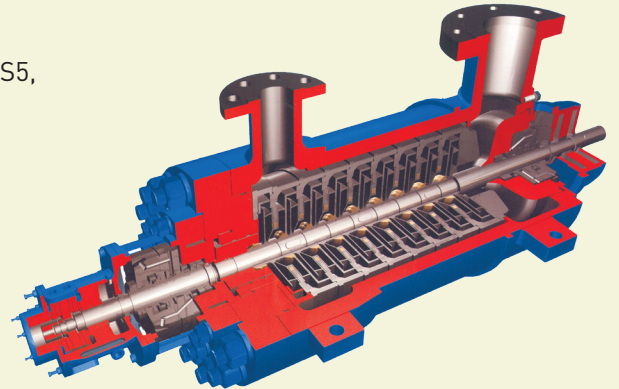
FEATURES

- API Compliant Materials
- Max. Capacity - 4579 gpm (1040 m³/h)
- Max. Head Rating - 9843 ft (3000 m)
- Max. Temperature - 800°F (425°C)
- Investment Cast Impellers and Stages

Available Material: S1, S4, S5, S6, S8, C6, A8, D1, D2

APPLICATIONS

- Oil and gas
- Water injection
- Petrochemical services
- Crude oil transfer
- Refinery
- Boiler feed



TLP Series

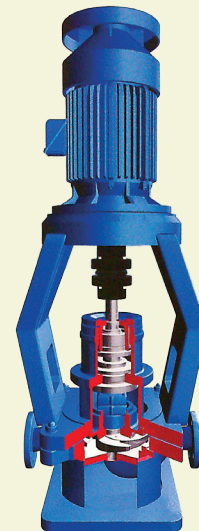
Vertical In-Line Single-Stage Pump – API 610 11th Edition (OH3)

FEATURES

- Space Saving Design
- API Compliant Materials
- Max. Capacity - 660 gpm (150 m³/h)
- Max. Head Rating - 330 ft (120 m)
- Max. Temperature - 350°F (180°C)

APPLICATIONS

- Condensate
- Caustic
- Reflux
- Stripper feed



TVP Series

Vertical Single Casing Pump – API 610 11th Edition (VS1)

FEATURES

- 🌀 Max. Capacity - 61,640 gpm (14,000 m³/h)
- 🌀 Max. Head Rating - 920 ft (280 m)
- 🌀 Max. Temperature - 390°F (200°C)

APPLICATIONS

- 🌀 Liquefied gas
- 🌀 Lube oil

- 🌀 Seawater lift
- 🌀 Recovered oil
- 🌀 Chemical and petrochemical industries
- 🌀 Pipeline and transfer service
- 🌀 Offshore crude oil loading
- 🌀 Stormwater and drainwater services



TVCP Series

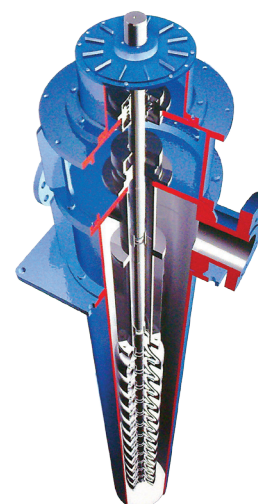
Vertical Double Casing Pump – API 610 11th Edition (VS6)

FEATURES

- 🌀 Max. Capacity - 7900 gpm (1794 m³/h)
- 🌀 Max. Head Rating - 3930 ft (1198 m)
- 🌀 Max. Temperature - 750°F (398°C)
- 🌀 Available Material: S1, S4, S5, S6, S8, C6, A8, D1, D2

APPLICATIONS

- 🌀 Pipeline booster
- 🌀 Condensate
- 🌀 LNG transfer
- 🌀 Boiler feed
- 🌀 Loading and unloading



TVSP Series

Vertical Sump Pump – API 610 11th Edition (VS4)

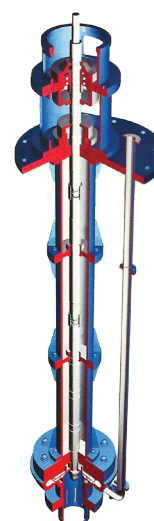
FEATURES

- 🌀 Max. Capacity - 1760 gpm (400 m³/h)
- 🌀 Max. Head Rating - 920 ft (280 m)
- 🌀 Max. Temperature - 780°F (400°C)

APPLICATIONS

- 🌀 Chemical processing
- 🌀 Liquid sulfur

- 🌀 Molten salts
- 🌀 High-temperature transfer
- 🌀 Gas and coal processing
- 🌀 Petrochemical processing
- 🌀 Refinery offsites
- 🌀 Drainage and slops



Serving Customers in Over 40 Countries



Argentina
Australia
Bolivia
Canada
Chile
China
Colombia
Costa Rica
Dominican Republic

Ecuador
Egypt
Germany
Ghana
Guyana
Honduras
Indonesia
Iraq
Israel

Italy
Kazakhstan
Kuwait
Malaysia
Mexico
The Netherlands
New Zealand
Nigeria
Panama

Paraguay
Peru
Russia
Saudi Arabia
South Korea
Taiwan
Thailand
Turkey
Turkmenistan

Ukraine
United Arab Emirates
United States
Uruguay
Uzbekistan
Venezuela



TRUFLO[™]
QUALITY • VALUE • SERVICE

7105 Cessna Drive,
Greensboro, NC 27409
336-664-9225 (Phone)
336-664-1353 (Fax)
www.truflo.com