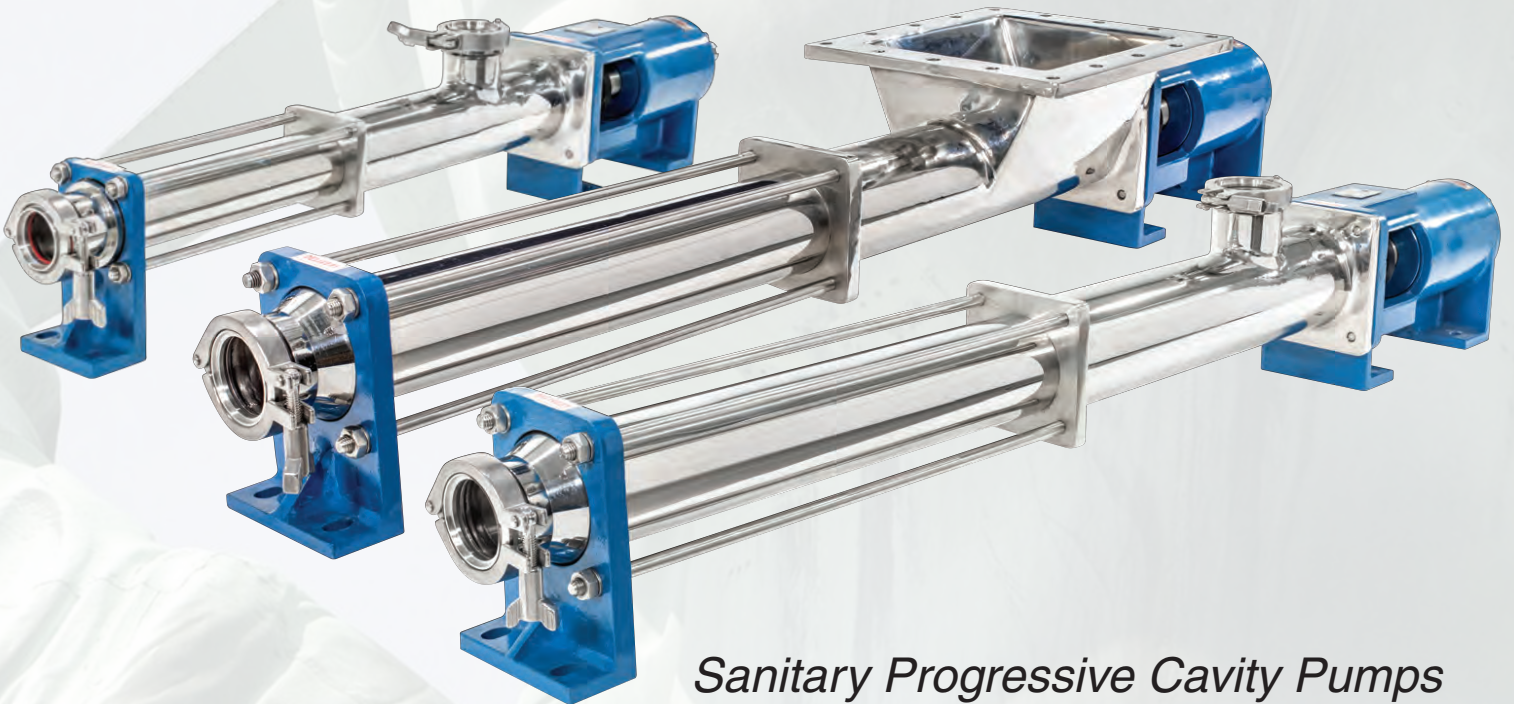


Liberty

Process Equipment, Inc.



Sanitary Progressive Cavity Pumps

LIBERTY PROCESS AND EQUIPMENT

FREEDOM SERIES SANITARY PROGRESSIVE CAVITY PUMPS

The FFL and FJL Freedom series sanitary pumps from Liberty are manufactured specifically for use in the food, beverage and cosmetic industries. No matter what type of liquid or level of hygiene is required, Liberty can offer a sanitary pump for your application. The pump construction is rugged and simple, and the Freedom Series design is also focused on fast disassembly for effective cleaning. The media-contacting metallic parts, with their characteristically smooth finish, and all are manufactured in polished 316 stainless steel.

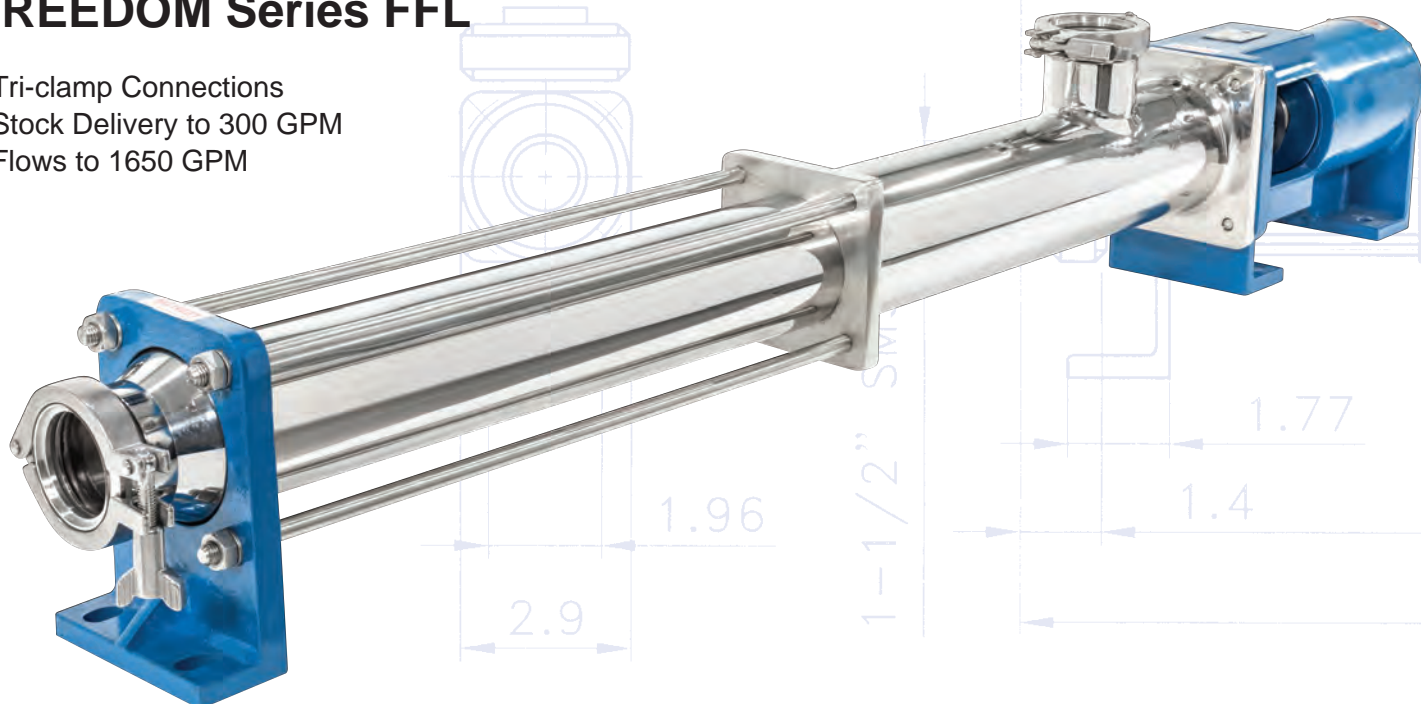
Clean in place (CIP) options are also available which permit pump cleaning and sanitizing without pump disassembly. Additional, (CIP) connections are available mounted on both the pump suction and discharge so that during CIP operations water and chemical cleaning solutions can be supplied and flush and sanitize all internal pump parts.

STANDARD CONNECTIONS Series FFL

Liberty's Freedom FFL series is offered with standard tri-clamp suction and discharge connections for free-flowing liquids. The FFL series is available in many pump sizes to meet your exact flow needs. At Liberty, we stock pumps for immediate delivery for flows ranging from a fraction of a gallon up to 300 GPM and are rated for discharge pressures up to 170 psi. We also stock stainless steel baseplates to quickly provide complete pump packages with drive motors. In addition to our stock pumps we offer Freedom series sanitary pumps for flows up to 1650 GPM and rated for discharge pressures up to 500 psi.

FREEDOM Series FFL

- Tri-clamp Connections
- Stock Delivery to 300 GPM
- Flows to 1650 GPM



LIBERTY FREEDOM SERIES SANITARY PUMPS AT WORK

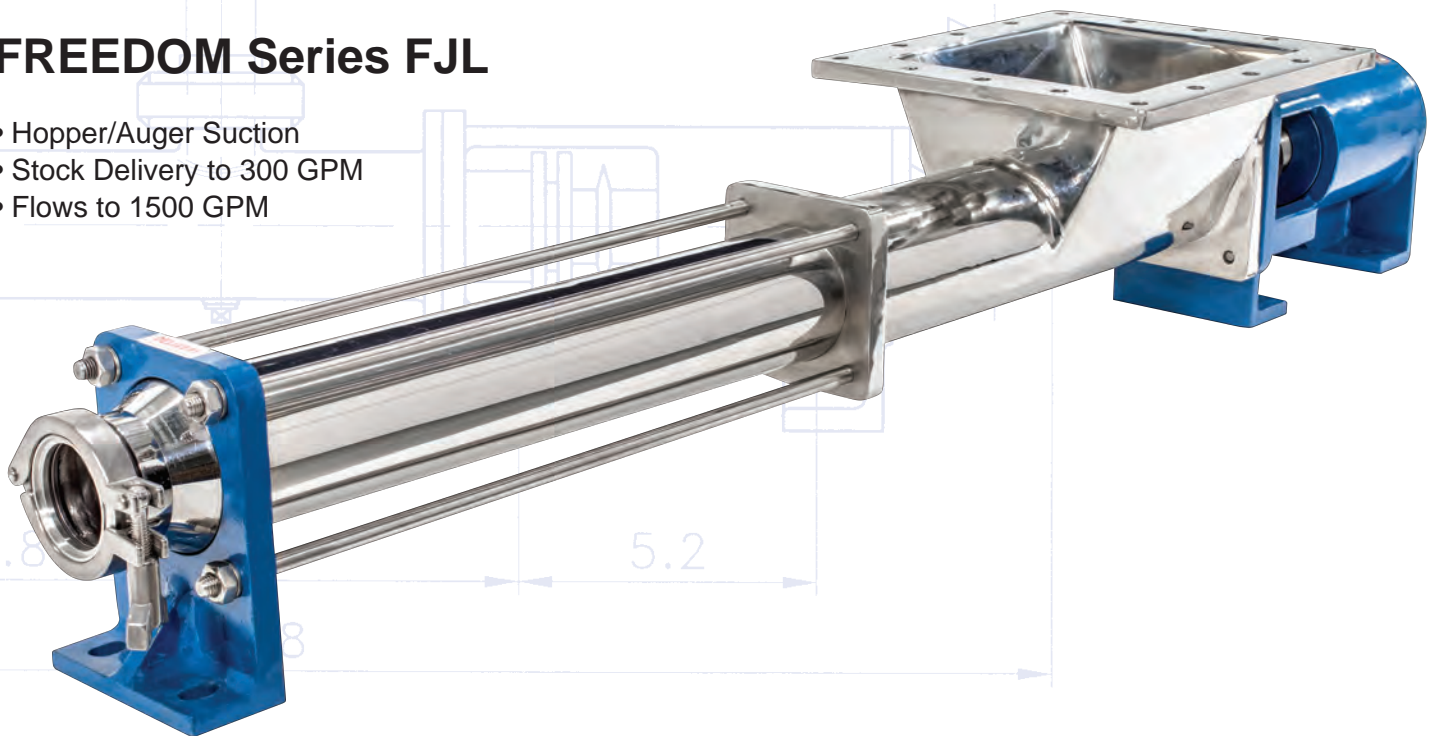
Liberty Freedom series sanitary pumps are currently in use in a wide variety of food processing, filling equipment, water and waste water, pharmaceutical and chemical applications. Capable of pumping liquids gently without damage or shear and also with accurate and repeatable flow make these pumps ideal for many processing applications. Typical fluids pumped are beer, beverages, butter, chocolate, cheese, creams, curd, dairy, dough, emulsions, extracts, fats, fruits, gelatins, honey, jams, liquor, lotions, malt, milk, oils, ointments, pastes, potato skins, sauces, shampoos, soaps, syrups, tooth paste, vegetables, vitamins, wine and many more. Please contact Liberty anytime for immediate responses and quotations for your sanitary pumping applications at sales@libertyprocess.com or call us at (847) 640-7867 and we will respond immediately.

OPEN THROAT HOPPER PUMPS Series FJL

Liberty's FJL series offers open throat Hopper Inlets, including an auger mounted on the coupling rod. This pump is perfect for conveying liquids that are highly viscous in nature. The auger provides a smooth continuous flow to feed the pump rotor and stator. At Liberty we also stock FJL hopper/auger pumps rated for flows from a fraction of a gallon up to 300 GPM and pressures up to 170 psi. We offer hopper/auger pumps for flows up to 1500 GPM and pressures up to 500 psi.

FREEDOM Series FJL

- Hopper/Auger Suction
- Stock Delivery to 300 GPM
- Flows to 1500 GPM



PUMPS & SPARE PARTS

In addition to Sanitary Pumps, Liberty Process Equipment, Inc. has been recognized as America's leading source for aftermarket replacement progressive cavity pumps, pump parts and pumping solutions for most of the popular brands of progressive cavity pumps in use today for over a decade.

Liberty Process Equipment offers same day shipment on a full line of high-quality drop-in progressive cavity pump parts. Save money and more importantly time by being able to get the in-stock parts you need at a price that's right for your budget.

All of our progressive cavity pumps and parts come with a full money-back guarantee for your total satisfaction, are made under ISO 9001 quality control standards and are performance tested for optimal application use.

Liberty maintains a large inventory of pumps and parts at our facility in Illinois available for immediate shipment. Pumps and pump parts offered for sale by Liberty Process Equipment, Inc. are made in the United States, Germany, India, Spain, Argentina, and Brazil.



Liberty Process Equipment, Inc.
2525 South Clearbrook Drive
Arlington Heights, IL 60005
Phone: (847) 640-7867
Fax: (847) 640-7855
www.libertyprocess.com
sales@libertyprocess.com