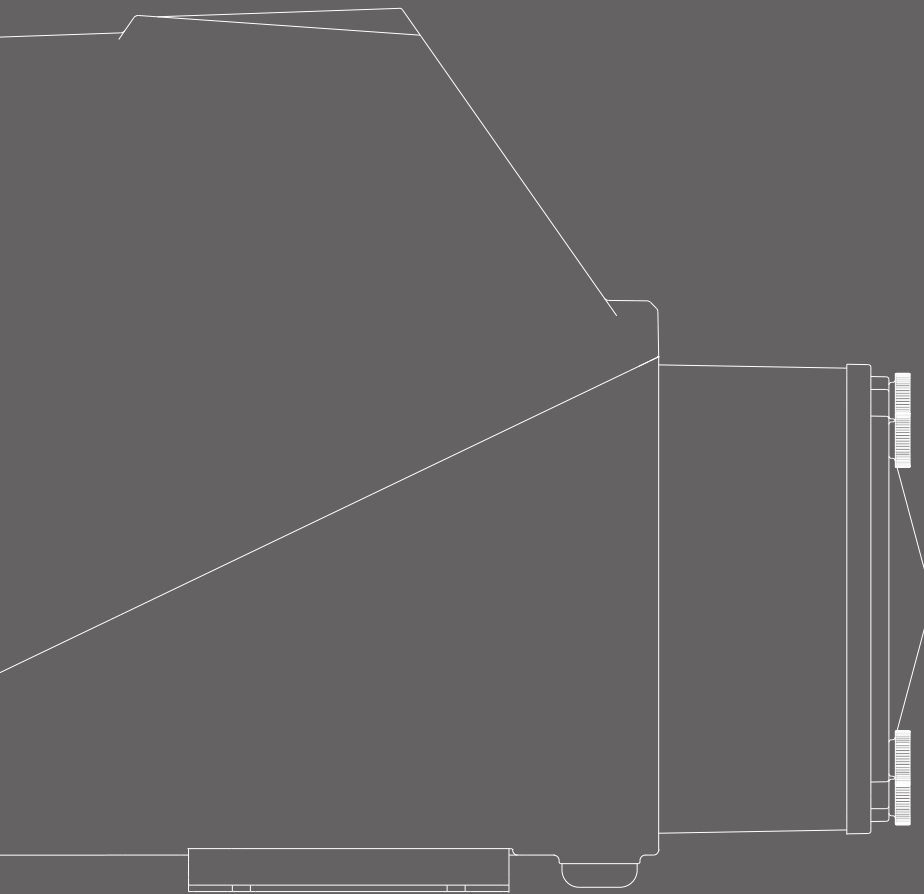


INDUSTRIAL CATALOG

2024 Rev. 1 03/25/2024



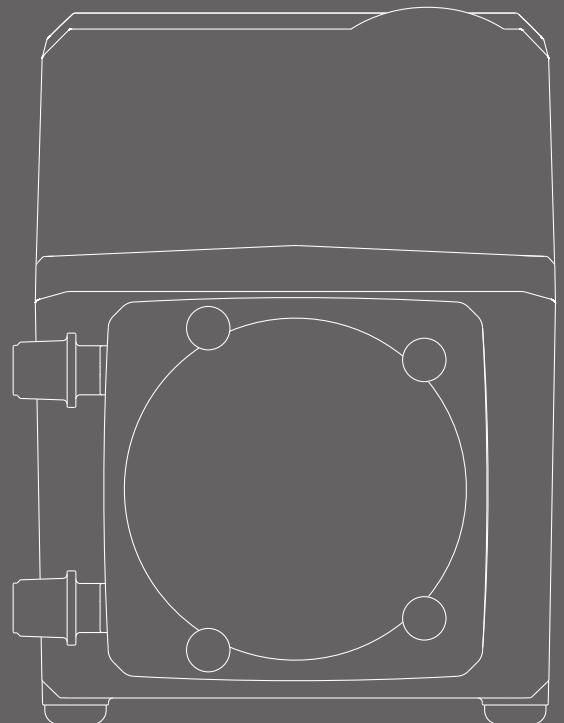
Blue-White[®]



INDUSTRIAL

Peristaltic
Metering Pumps

Blue-White[®]



A1

FLEXFLO® Peristaltic Metering Pump



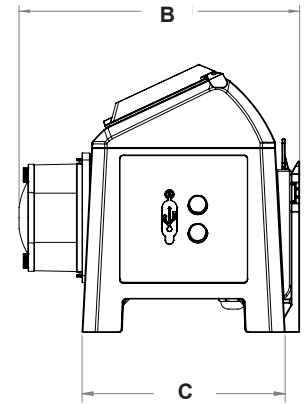
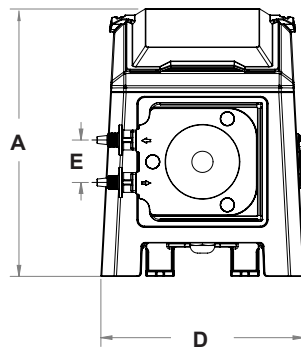
- > Tube Failure Detection senses tube rupture, no false triggering
- > Heavy duty display shield protects pump controls
- > Remote Start/Stop, which is one non-powered dry contact closure
- > Relay outputs include a single 250V/3A and a single solid-state
- > Manual Speed Adjust
- > SCADA I/O: 4-20 mA input, 4-20 mA output

Highlights

Flow range	Pressures up to	Turndown ratio	Suction lift
.001 - 5.60 GPH .011 - 21.2 LPH	100 PSI (6.89 bar)	2,000 : 1	30 ft. Water at sea level (14.7 atm psi)
Exclusive	Motor	Weight	Warranty
Tube Failure Detection (TFD+)	Brushless DC	6 lb. (2.7 Kg)	2 Years

Dimensions

Dim	Inch	cm	Dim	Inch	cm
A	9.46"	24.02	D	7.18"	18.23
B	9.92"	25.19	E	1.5"	3.81
C	7.18"	18.23			



What's in the box

A1 Peristaltic Metering Pump
Two tube assemblies (one installed, one spare)

With "T" Compression Tube Fittings:

- Suction tube – clear PVC
5' length (3/8" OD, 1/4" ID)
- Suction strainer (C-342-6)
- Suction ceramic weight
- Discharge tube – opaque polyethylene
5' length (3/8" OD, 1/4" ID)
- Discharge injection fitting with 1/2 psi check (A-014NK-6A)

With "M: MNPT Tube Fittings:

- Suction foot strainer (71000-824)
- Discharge injection fitting with 1/2 psi check (71000-767)

- Mounting hardware kit
- Display shield
- Tube nuts (x2)

Instruction manual

M12 Cables not included.


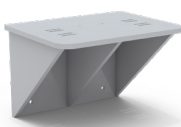







Model Number Matrix

FLEXFLO® Model Number

A1	FLEXFLO® Peristaltic Metering Pump					
Series						
F	Standard Control Methods (Manual, Remote On/Off)					
V	4-20mA Input, 4-20mA Output, In Addition to Standard Control Methods (Manual, Remote)					
Power Cord (Operating voltage requirement 96VAC to 264VAC)						
4	115V 50/60Hz, NEMA 5/15 plug (US)	6	220V 50/60Hz, CEE 7/11 plug (EU)			
		X	No Power Cord			
Pump Tube Size and Material						
1	1/4" OD Flex-A-Thane® 0.001 – 1.09 GPH .035 - 69 mL/Min 65 PSI (4.5 bar)					
3	7/16" OD Flex-A-Thane® 0.003 – 5.60 GPH .176 - 353 mL/Min 50 PSI (3.45 bar)					
4	1/4" OD Flex-A-Prene® 0.001 - 0.44 GPH .014 - 28 mL/Min 100 PSI (6.89 bar)					
6	3/8" OD Flex-A-Prene® 0.001 – 1.35 GPH .043 - 85 mL/Min 100 PSI (6.89 bar)					
7	7/16" OD Flex-A-Prene® 0.002 – 4.17 GPH .132 - 263 mL/Min 50 PSI (3.45 bar)					
8	7/16" OD Flex-A-Chem® 0.002 – 3.09 GPH .098 - 195 mL/Min 50 PSI (3.45 bar)					
Inlet/Outlet Connection Size, Connection Type						
T	3/8" OD x 1/4" Tube Compression Fitting					
M	1/2" Male NPT Fitting					
MB	1/2" Male BSPT Fitting, Natural PVDF (Kynar)					
A1	F	4	-	1	T	Sample Model Number

Accessories

 <p>KIT-S07 KIT-S15 KIT-S30</p> <p>* Includes cover and foot valve</p> <p>KIT-S07 (7 Gallon), KIT-S15 (15 Gallon), KIT-S30 (30 Gallon) STAR III TANKS, PP</p>	 <p>KIT-PSM WALL MOUNT BRACKET, HDPE</p>		
<p>90010-663 115V/60Hz NEMA 5/15 90010-664 220V/50Hz CEE 7/11 90010-665 230V/50Hz BS 1363/A 90010-666 240V/50Hz AS 3112 90010-696 230V/60Hz NEMA 6/15 90010-821 115V Lockable</p> <p>POWER CABLES - 6 ft</p>	 <p>CABLE-UAC USB A-C CABLE - 3 ft</p>	 <p>KIT-M12 TWO M12 CABLES - 9.8 ft</p>	 <p>A1-(see spare parts page) Spare Tube Element</p>
 <p>TI40-6V T.I. INJECTOR, 3/8" OD</p>	 <p>C-340A FOOT VALVE</p>	<p>Visit Accessory Pages for More Options</p>	

A2

FLEXFLO® Peristaltic Metering Pump



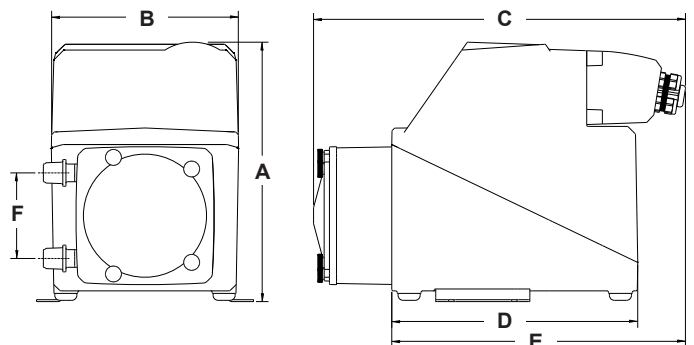
- > Self priming chemical metering pump delivers smooth chemical feed
- > Patented Tube Failure Detection senses tube rupture
- > Signal inputs include: 4-20mA, Pulse Inputs, Frequency Inputs
- > Signal outputs include: Relay (3 amp), 4-20mA (optional), Motor Status

Highlights

Flow range	Pressures up to	Turndown ratio	Suction lift
.02 - 21.23 GPH .07 - 80.4 LPH	125 (8.6 bar)	100 : 1	30 ft. Water at sea level (14.7 atm psi)
Exclusive	Motor	Weight	Warranty
Tube Failure Detection (TFD)	Brushed DC	28.4 lb. (12.9 Kg)	2 Years

Dimensions

Dim	Inch	cm	Dim	Inch	cm
A	10.25"	26	D	9.5"	24.1
B	7.5"	19	E	11"	27.9
C	14"	35.6	F	3.38"	8.6



What's in the box

A2 Peristaltic Metering Pump
Two tube assemblies (one installed, one spare)
Tube installation tool
Mounting hardware kit
QR Code link to Operating Manual

With "S" 3/8" OD x 1/4" ID tubing compression type connections:

- Suction tube – clear PVC – 10' length (3/8" OD, 1/4" ID)
- Suction strainer (C-342-6) and ceramic weight
- Discharge tube – opaque polyethylene – 10' (3/8" OD, 1/4" ID)
- Discharge injector "S", PVDF/Aflas, with 1/2 psi check (A-014NK-6A)

With "B" 1/2" hose barb type connections:

- Suction strainer, PVDF with 1/2" Barb. (71000-825)
- Discharge injector "B", PVDF/Aflas with 1/2 psi check (7100-770)

With "M" MNPT type connections:

- Suction strainer, PVDF with 1/2" MNPT (71000-824)
- Discharge injector "M", PVDF/Aflas with 1/2 psi check (7100-767)

No accessories with "C" Tri-clamp and "Q" Quick Disconnect



Model Number Matrix

FLEXFLO® Model Number

A2	FLEXFLO® Peristaltic Metering Pump										
Series Control Options											
V	Multiple automatic input output control and alarm modes (remote control)										
Power Cord (operating voltage requirement 96VAC to 264VAC)											
4	115V / 60HZ, power cord NEMA 5/15 plug (US)	8	240V / 50HZ, power cord AS 3112 plug (AU/New Zealand)								
5	230V / 60HZ, power cord NEMA 6/15 plug (US)	9	230V / 50HZ, power cord BS 1363 plug (UK)								
6	220V / 50HZ, power cord CEE 7/VII plug (EU)	X	No Power Cord								
Inlet/Outlet Connection Size, Connection Type, Connection Material											
S	3/8" OD x 1/4" ID Tube Compression Fitting, Natural PVDF (Kynar)										
M	1/2" Male NPT Fitting, Natural PVDF (Kynar)										
B	1/2" ID Tubing Barb Fitting, Natural PVDF (Kynar), available for ND, NEE, NGG, and G2G only										
C	1/2"-3/4" Tri-clamp connections, Natural PVDF (Kynar), available for ND, NEE, NGG, and G2G only										
Q	Quick Disconnect, Natural PVDF (Kynar), available for ND, NEE, NGG, and G2G only (valves sold separately)										
MB	1/2" Male BSPT Fitting, Natural PVDF (Kynar)										
Pump Tube Material, Pump Tube Size											
ND	Flex-A-Prene® .075 ID .02-1.7 GPH 125 PSI	GE	Flex-A-Thane® .125 ID .04-4.0 GPH 65 PSI								
NEE	Flex-A-Prene® .093 ID .044-4.44 GPH 110 PSI	GG	Flex-A-Thane® .187 ID .09-9.3 GPH 65 PSI								
NGG	Flex-A-Prene® .187 ID .172-17.2 GPH 110 PSI	G2G	Flex-A-Thane® .312 ID .15-14.98 GPH 65 PSI								
TH	Flex-A-Chem® .250 ID .14-14.3 GPH 50 PSI	GH	Flex-A-Thane® .312 ID .21-21.23 GPH 65 PSI								
mA Output											
(Blank)	Standard										
3	4-20 mA Analog Output										
Pumphead Orientation											
(Blank)	Standard - Left facing pumphead										
R	Right facing pumphead										
D	Down facing pumphead										
A2	V	2	4	-	S	ND	-	3	(Blank)	D	Sample Model Number

Accessories



1/4" x 3/8" "S" Fitting
1/2" Hose Barb "B" Fitting
1/2" MNPT "M" Fitting

Quick Disconnects

- *KIT-QSV FKM O-rings
- *KIT-QSE EP O-rings
- *KIT-QSA Aflas O-rings
- *KIT-QBV FKM
- *KIT-QBE EP
- *KIT-QBA Aflas
- *KIT-QMV FKM
- *KIT-QME EP
- *KIT-QMA Aflas



KIT-PSM
Wall Mount Bracket, HDPE



TI40-6V
T.I. INJECTOR, 3/8" OD



C-340A
FOOT VALVE

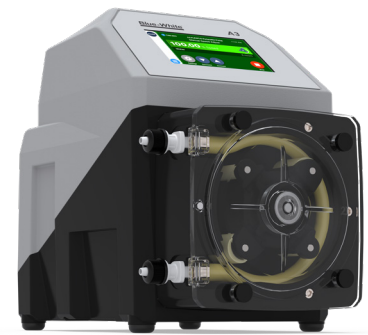


A2-(see spare parts page)
Spare Tube Element

Visit Accessory Pages for More Options

A3

FLEXFLO® Peristaltic Metering Pump



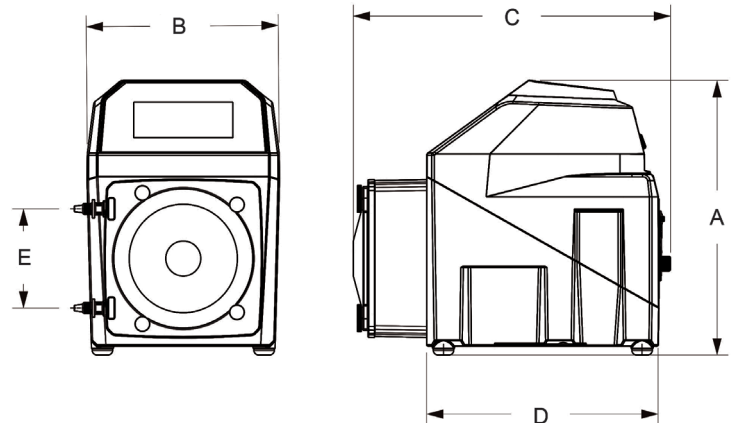
- > Self priming chemical metering pump delivers smooth chemical feed
- > Patented Tube Failure Detection senses tube rupture
- > Signal inputs include: 4-20mA, Pulse Inputs, Frequency Inputs
- > Signal outputs include: 4-20mA, Frequency Output, one 250V/6 AMP relay output, three 125V/1A outputs
- > Communications Protocols: Ethernet IP, Profibus, Modbus TCP

Highlights

Flow range	Pressures up to	Turndown ratio	Suction lift
.001 - 33.3 GPH .003 - 126 LPH	125 PSI (8.6 bar)	2,500 : 1	30 ft. Water, 0 psig (9.14 m, 0 bar)
Exclusive	Motor	Weight	Warranty
Tube Failure Detection (TFD)	Brushless DC	25.4 lb. (11.5 Kg)	2 Years

Dimensions

Dim	Inch	cm	Dim	Inch	cm
A	11.75"	29.8	D	10.5"	26.5
B	8.25"	20.9	E	4.25"	10.8
C	13.5"	34.5			



What's in the box

A3 Peristaltic Metering Pump
Two tube assemblies (one installed, one spare)
Mounting hardware kit
QR Code link to Operating Manual

With "S" 3/8" OD x 1/4" ID tubing compression type connections:

- Suction tube – clear PVC – 10' length (3/8" OD, 1/4" ID)
- Suction strainer (C-342-6) and ceramic weight
- Discharge tube – opaque polyethylene – 10' (3/8" OD, 1/4" ID)
- Discharge injector "S", PVDF/Aflas, with 1/2 psi check (A-014NK-6A)

With "B" 1/2" hose barb type connections:

- Suction strainer, PVDF with 1/2" Barb. (71000-825)
- Discharge injector "B", PVDF/Aflas with 1/2 psi check (71000-770)

With "M" MNPT type connections:

- Suction strainer, PVDF with 1/2" MNPT (71000-824)
- Discharge injector "M", PVDF/Aflas with 1/2 psi check (71000-767)

No accessories with "C" Tri-clamp and "Q" Quick Disconnect

M12 Cables not included.




Model Number Matrix

FLEXFLO® Model Number

A3	FLEXFLO® A3 Peristaltic Metering Pump							
Power Cord (operating voltage requirement 96VAC to 264VAC)								
4	115V / 60HZ, power cord NEMA 5/15 plug (US)							
6	220V / 50HZ, power cord CEE 7/VII plug (EU)							
X	No Power Cord							
Inlet/Outlet Connection Size, Connection Type, Connection Material								
S	3/8" OD x 1/4" ID Tube Compression Fitting, Natural PVDF (Kynar)							
M	1/2" Male NPT Fitting, Natural PVDF (Kynar)							
B	1/2" ID Tubing Barb Fitting, Natural PVDF (Kynar), available for ND, NEE, NGG, NKL, and G2G only							
C	1/2"-3/4" Tri-clamp connections, Natural PVDF (Kynar), available for ND, NEE, NGG, NKL, and G2G only							
Q	Quick Disconnect, Natural PVDF (Kynar): ND, NEE, NGG, NKL, and G2G only (Valves sold separately)							
MB	1/2" Male BSPT Fitting, Natural PVDF (Kynar)							
Pump Tube Material, Pump Tube Size								
ND	Flex-A-Prene® .075 ID .001-2.1 GPH 125 PSI	GE	Flex-A-Thane® .125 ID .002-4.60 GPH 65 PSI					
NEE	Flex-A-Prene® .093 ID .002-4.76 GPH 110 PSI	GG	Flex-A-Thane® .187 ID .004-10.1 GPH 65 PSI					
NGG	Flex-A-Prene® .187 ID .007-19.02 GPH 110 PSI	G2G	Flex-A-Thane® .187 ID .007-18.23 GPH 65 PSI					
NK	Flex-A-Prene® .375 ID .013-33.3 GPH 125 PSI	GH	Flex-A-Thane® .312 ID .010-24.9 GPH 65 PSI					
NKL	Flex-A-Prene® .375 ID .013-33.3 GPH 30 PSI	GK	Flex-A-Thane® .375 ID .011-28.5 GPH 65 PSI					
NHL	Flex-A-Prene® .250 ID .006-17.39 GPH 65 PSI	TH	Flex-A-Chem® .250 ID .006-15.06 GPH 50 PSI					
		TK	Flex-A-Chem® .375 ID .011-28.5 GPH 50 PSI					
Pumhead Orientation								
(Blank)	Standard - Left facing pumphead							
R	Right facing pumphead							
D	Down facing pumphead							
A3	S	V	2	4	-	S	ND	Sample Model Number

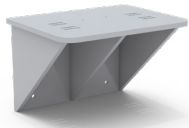
Accessories



1/4" x 3/8" "S" Fitting
1/2" Hose Barb "B" Fitting
1/2" MNPT "M" Fitting

Quick Disconnects

- *KIT-QSV FKM O-rings
- *KIT-QSE EP O-rings
- *KIT-QSA Aflas O-rings
- *KIT-QBV FKM
- *KIT-QBE EP
- *KIT-QBA Aflas
- *KIT-QMV FKM
- *KIT-QME EP
- *KIT-QMA Aflas



KIT-PSM
Wall Mount Bracket, HDPE



KIT-M12
Two M12 Cables - 9.8 ft.

90010-663 115V/60Hz NEMA 5/15
90010-664 220V/50Hz CEE 7/V11
90010-665 230V/50Hz BS 1363/A
90010-666 240V/50Hz AS 3112
90010-696 230V/60Hz NEMA 6/15
90010-711 115V Lockable

POWER CABLES - 6 ft



KIT-DP3
Profibus Cable, 3 ft



TI40-6V
T.I. Injector, 3/8" OD

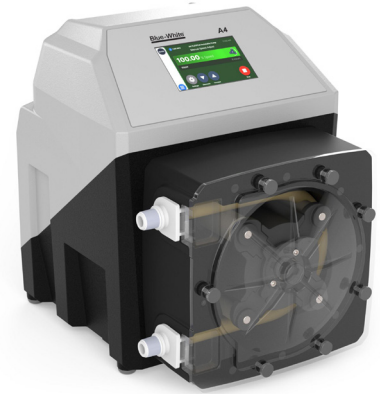


C-340-A
FOOT VALVE

Visit Accessory Pages for More Options

A4

FLEXFLO® Peristaltic Metering Pump



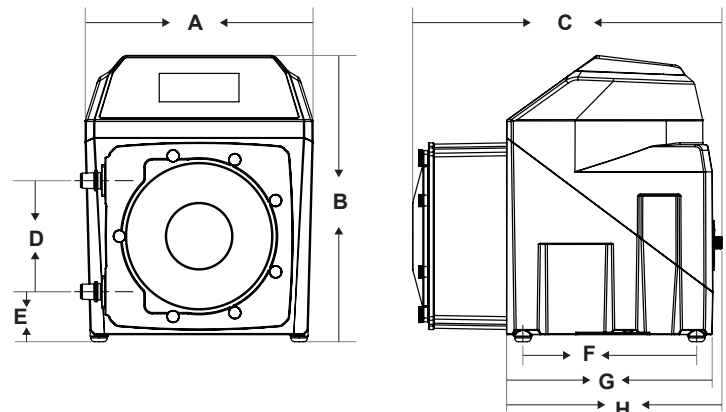
- > Self priming chemical metering pump delivers smooth chemical feed
- > Patented Tube Failure Detection senses tube rupture
- > Signal inputs include: 4-20mA, Pulse Inputs, Frequency Inputs
- > Signal outputs include: 4-20mA, Frequency Output, one 250V/6 AMP relay output, three 125V/1A
- > Communications Protocols: Ethernet IP, Profibus, Modbus TCP

Highlights

Flow range	Pressures up to	Turndown ratio	Suction lift
.01 - 158.5 GPH .04 - 600 LPH	125 PSI (8.6 bar)	2,500 : 1	30 ft. Water, 0 psig (9.14 m, 0 bar)
Exclusive	Motor	Weight	Warranty
Tube Failure Detection (TFD)	Brushless DC	45.5 lb. (20.64 Kg)	2 Years

Dimensions

Dim	Inch	cm	Dim	Inch	cm
A	12.1"	30.8	E	2.7"	6.8
B	15.3"	38.8	F	9.3"	23.5
C	16.5"	41.9	G	11.0"	27.8
D	5.9"	15.0	H	11.5"	29.2



What's in the box

A4 Peristaltic Metering Pump
 Two tube assemblies (one installed, one spare)
 Mounting hardware kit
 QR Code link to Operating Manual
 M12 Cables not included.

- With "B" 1/2" hose barb type connections:**
- Suction strainer, PVDF with 1/2" Barb. (71000-825)
 - Discharge injector "B", PVDF/Aflas with 1/2 psi check (7100-770)
- With "M" MNPT type connections:**
- Suction strainer, PVDF with 1/2" MNPT (71000-824)
 - Discharge injector "M", PVDF/Aflas with 1/2 psi check (7100-767)
- No accessories with "C" Tri-clamp and "Q" Quick Disconnect




Model Number Matrix

FLEXFLO® Model Number

A4	FLEXFLO® A4 Peristaltic Metering Pump							
Power Cord (operating voltage requirement 96VAC to 264VAC)								
4	115V / 60HZ, power cord NEMA 5/15 plug (US)							
6	220V / 50HZ, power cord CEE 7/VII plug (EU)							
X	No Power Cord							
Inlet/Outlet Connection Size, Connection Type, Connection Material								
M	1/2" Male NPT Fitting, Natural PVDF (Kynar)							
B	1/2" ID Tubing Barb Fitting, Natural PVDF (Kynar)							
C	1/2" - 3/4" Tri-clamp connections, Natural PVDF (Kynar)							
Q	Quick Disconnect, Natural PVDF (Kynar), NP flow rate reduced 16.5% with Quick Disconnect connections (Valves sold separately)							
MB	1/2" Male BSPT Fitting, Natural PVDF (Kynar)							
Pump Tube Material, Pump Tube Size NOTE: * = Dual tube								
NH	Flex-A-Prene® .250 ID .01-28.5 GPH 125 PSI	GH	Flex-A-Thane® .312 ID .01-39.6 GPH 65 PSI					
NHH*	Flex-A-Prene® .250 ID .02-54.0 GPH 100 PSI	GHH*	Flex-A-Thane® .312 ID .03-71 GPH 65 PSI					
NHHL*	Flex-A-Prene® .250 ID .02-54.0 GPH 65 PSI	GK	Flex-A-Thane® .375 ID .02-55.5 GPH 65 PSI					
NHL	Flex-A-Prene® .250 ID .01-28.5 GPH 65 PSI	GKK*	Flex-A-Thane® .375 ID .04-100 GPH 65 PSI					
NK	Flex-A-Prene® .375 ID .02-50.7 GPH 80 PSI	TH	Flex-A-Chem® .250 ID .01-25.4 GPH 30 PSI					
NL	Flex-A-Prene® .500 ID .04-100.0 GPH 50 PSI	TK	Flex-A-Chem® .375 ID .02-54.0 GPH 30 PSI					
NP	Flex-A-Prene® .750 ID .06-158.5 GPH 30 PSI	TKK*	Flex-A-Chem® .375 ID .05-126 GPH 30 PSI					
Pumphead Orientation								
(Blank)	Standard - Left facing pumphead							
R	Right facing pumphead							
D	Down facing pumphead							
A4	S	V	2	4	-	M	NH	Sample Model Number

Accessories



1/2" Hose Barb "B" Fitting
1/2" MNPT "M" Fitting

Quick Disconnects *KIT-QBV FKM O-rings *KIT-QBE EP *KIT-QBA Aflas
*KIT-QMV FKM *KIT-QME EP *KIT-QMA Aflas



KIT-PSM
Wall Mount Bracket, HDPE



KIT-M12
Two M12 Cables - 9.8 ft.

90010-663 115V/60Hz NEMA 5/15
90010-664 220V/50Hz CEE 7/V11
90010-665 230V/50Hz BS 1363/A
90010-666 240V/50Hz AS 3112
90010-696 230V/60Hz NEMA 6/15
90010-821 115V Lockable

POWER CABLES - 6 ft

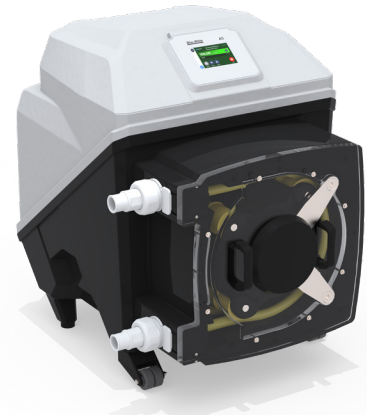


KIT-DP3
Profibus Cable, 3 ft

Visit Accessory Pages for More Options

A5

FLEXFLO® Peristaltic Metering Pump



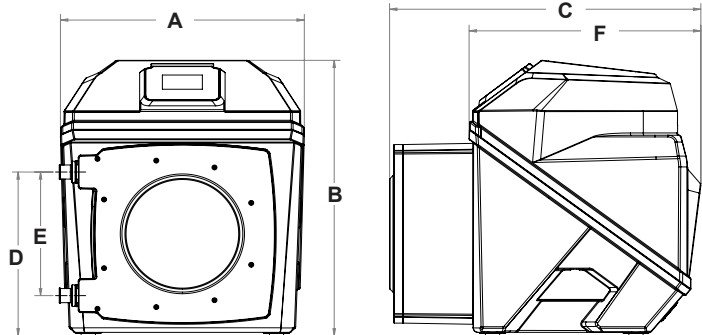
- > Self priming chemical metering pump delivers smooth chemical feed
- > Patented Tube Failure Detection senses tube rupture
- > Signal inputs include: 4-20mA, Pulse Inputs, Frequency Inputs
- > Signal outputs include: 4-20mA, Frequency Output, one 250V/6 AMP relay output, three 125V/1A
- > Communications Protocols: Ethernet IP, Profibus, Modbus TCP

Highlights

Flow range .03 - 534 GPH .1 - 2041 LPH	Pressures up to 65 PSI (4.4 bar)	Turndown ratio 2,500 : 1	Suction lift 30 ft. Water, 0 psig (9.14 m, 0 bar)
Exclusive Tube Failure Detection (TFD)	Motor Brushless DC	Weight 178 lb. (80.7 Kg)	Warranty 2 Years

Dimensions

Dim	Inch	cm	Dim	Inch	cm
A	25.7"	65.2	D	17.9"	45.4
B	30.1"	76.4	E	13.5"	34.3
C	32.8"	83.3	F	24.4"	62.0



What's in the box

- A5 Peristaltic Metering Pump
- One tube assemblies (installed)
- One Tube Replacement Kit
- Floor Mount Kit
- QR Code link to Operating Manual
- M12 Cables not included.



Model Number Matrix

A5

Model Number

A5	FLEXFLO® Peristaltic metering pump							
Power Cord (operating voltage user selectable 115V/240 VAC 50/60Hz)								
4	115V / 60Hz, power cord NEMA 5/15 plug (US)							
6	220V / 50HZ, power cord CEE 7/VII plug (EU)							
X	No Power Cord							
Inlet/Outlet Connection Size, Connection Type, Connection Material								
M	1.5" Male NPT Fitting, Polypropylene, Aflas O-rings							
B	1.5" Hose Barb, Polypropylene, Aflas O-rings							
Pump Tube Material, Pump Tube Size, Output Range, Pressure								
NPP	Flex-A-Prene® .750 ID 0.2136– 534 GPH 0.8084 - 2021 LPH 13.476 - 33690 mL/min 30 PSI							
NLL	Flex-A-Prene® .500 ID 0.1072 – 286 GPH 0.4332 - 1083 LPH 7.222 - 18056 mL/min 50 PSI							
NHHL	Flex-A-Prene® .250 ID 0.0302 – 75.6 GPH 0.1144 - 286 LPH 1.907 - 4769 mL/min 65 PSI							
GKK	Flex-A-Thane® .375 ID 0.0617 – 154.2 GPH 0.2334 - 583.6 LPH 3.891 - 9728 mL/min 50 PSI							
Pumphead Orientation								
(Blank)	Standard (Left facing pumphead)							
R	Right facing pumphead							
O-rings / Elastomers								
(Blank)	Standard (Aflas)							
E	EPDM							
A5	S	2	4	-	M	NPP	E	Sample Model Number

Accessories

90010-663 115V/60Hz NEMA 5/15
 90010-664 220V/50Hz CEE 7/V/11
 90010-665 230V/50Hz BS 1363/A
 90010-666 240V/50Hz AS 3112
 90010-696 230V/60Hz NEMA 6/15
 90010-711 115V Lockable


POWER CABLES - 6 ft



CABLE-UAC
 USB A-C CABLE



KIT-M12
 TWO M12 CABLES



KIT-DP3
 ONE 3ft PROFIBUS CABLE

***KIT-M12-3** Three M12 Cables and **KIT-M12-6** Six M12 Cables also available.

Visit [Accessory Pages](#) for More Options

A-100N

FLEXFLO® Peristaltic Metering Pump



Analog Units

- > Manual output control with easy dial knob style
- > Variable speed motor control

Digital Units

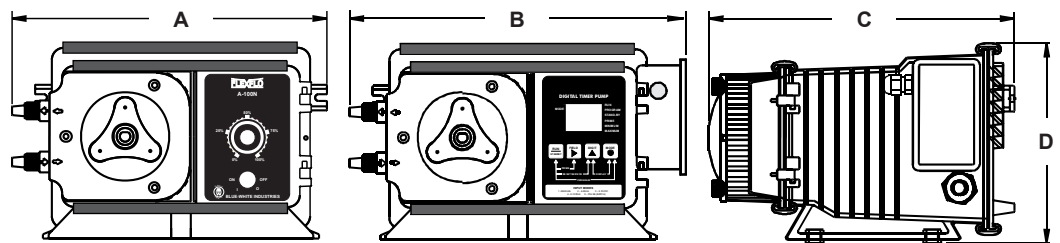
- > Manual or automatic control
- > Accepts 4-20mA, 0-10VDC, and pulse input signals
- > Variable speed motor control

Highlights

Flow range .1 - 5.2 GPH .4 - 20 LPH	Pressures up to 100 PSI (6.9 bar)	Turndown ratio 20 : 1	Suction lift 30 ft. Water, 0 psig (9.14 m, 0 bar)
Exclusive Tube Failure Detection (TFD)	Motor Brushed DC	Weight 8 lb. (3.63 Kg)	Warranty 1 Year

Dimensions

Dim	Inch	cm
A	9.375"	23.81
B	9.50"	24.10
C	9.125"	23.18
D	6.00"	15.24



*Analog Units
A-100NF

*Digital Units
A-100NV

What's in the box


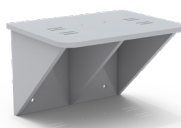




- | | |
|--|-----------------------|
| A100N Peristaltic Metering Pump | Mounting hardware kit |
| Two tube assemblies (one installed, one spare) | Display shield |
| Suction tube – clear PVC
5' length (3/8" OD, 1/4" ID) | Tube nuts (x2) |
| Suction strainer (C-342-6) | Instruction manual |
| Suction ceramic weight | |
| Discharge tube – opaque polyethylene
5' length (3/8" OD, 1/4" ID) | |
| Discharge injection fitting with 1/2 psi check (A-014N-6A) | |

Model Number Matrix

FLEXFLO® Model Number

A1N	FLEXFLO® Peristaltic Metering Pump							
Maximum Motor RPM								
0	14 RPM							
1	30 RPM							
2	45 RPM							
3	60 RPM							
Power Cord								
0	115V / 60HZ, power cord NEMA 5/15 plug (US)							
1	220V / 50HZ, power cord CEE7/VII plug (EU)							
Input/Output Control								
F	Analog Manual Speed Control (Dial Knob)							
V	Digital Speed Control with external input (4-20ma, 0-10VDC, and Frequency/Pulse)							
Pump Tube Material, Pump Tube Size, Flow Rate								
1	1/4" OD Flex-A-Thane®, 65 PSI (14 RPM = 5.7 GPD, 30 RPM = 13.3 GPD, 45 RPM = 20.5 GPD, 60 RPM = 25.5 GPD)							
2	3/8" OD Flex-A-Thane®, 65 PSI (14 RPM = 12.2 GPD, 30 RPM = 28.5 GPD, 45 RPM = 43.6 GPD, 60 RPM = 53.3 GPD)							
3	7/16" OD Flex-A-Thane®, 50 PSI (14 RPM = 27.8 GPD, 30 RPM = 65.8 GPD, 45 RPM = 99.2 GPD, 60 RPM = 124 GPD)							
4	1/4" OD Flex-A-Prene®, 100 PSI (14 RPM = 2.3 GPD, 30 RPM = 4.9 GPD, 45 RPM = 8.0 GPD, 60 RPM = 9.5 GPD)							
6	3/8" OD Flex-A-Prene®, 100 PSI (14 RPM = 6.9 GPD, 30 RPM = 16.0 GPD, 45 RPM = 24.0 GPD, 60 RPM = 30.1 GPD)							
7	7/16" OD Flex-A-Prene®, 50 PSI (14 RPM = 21.7 GPD, 30 RPM = 52.5 GPD, 45 RPM = 76.1 GPD, 60 RPM = 95.1 GPD)							
8	7/16" OD Flex-A-Chem®, 50 PSI (14 RPM = 15.2 GPD, 30 RPM = 31.9 GPD, 45 RPM = 53.3 GPD, 60 RPM = 68.4 GPD)							
NSF Certification								
(Blank)	None							
X	NSF 61 certified (only with -4T, -6T, -7T, and -8T tubes) (ships without accessories)							
A1N	0	0	F	-	1	T	-	Sample Model Number

Accessories

 <p>KIT-S07 KIT-S15 KIT-S30</p> <p>* Includes cover and foot valve</p> <p>KIT-S07 (7 Gallon), KIT-S15 (15 Gallon), KIT-S30 (30 Gallon) STAR III TANKS, PP</p>	 <p>KIT-PSM WALL MOUNT BRACKET, HDPE</p>	 <p>A1-(see spare parts page) Spare Tube Element</p>
 <p>T140-6V T.I. INJECTOR, 3/8" OD</p>	 <p>C-340A FOOT VALVE</p>	 <p>A-014NK-6A PVDF INJECTOR</p>

Visit [Accessory Pages](#) for more Options

A-100N (Polymer)

FLEXFLO® Peristaltic Metering Pump



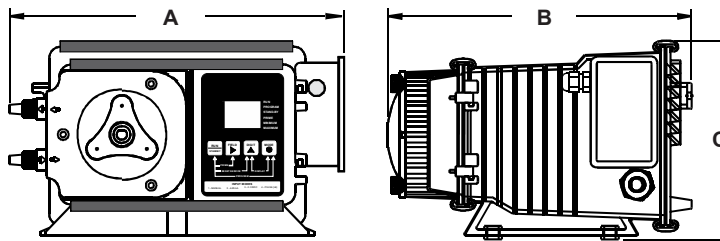
- > Enhanced Tube Failure Detection (TFD+) detects oil and water based polymers
- > Gentle pumping action for long chain polymers
- > Ideal for low and high viscosity fluids
- > Manual and Digital 4-20ma speed control models.

Highlights

Flow range	Pressures up to	Turndown ratio	Suction lift
.1 - 5.2 GPH .4 - 20 LPH	65 PSI (4.5 bar)	20 : 1	30 ft. Water, 0 psig (9.14 m, 0 bar)
Exclusive	Motor	Weight	Warranty
Tube Failure Detection (TFD+)	Brushed DC	8 lb. (3.63 Kg)	1 Year

Dimensions

Dim	Inch	cm
A	9.50"	24.10
B	9.125"	23.18
C	6.00"	15.24



***Polymer Units**
A-100NVP, A-100NFP only

What's in the box


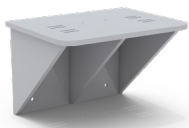




- | | |
|--|--------------------------|
| A100N Peristaltic Metering Pump | Mounting hardware kit |
| Two tube assemblies (one installed, one spare) | Display shield |
| Suction tube – clear PVC
5' length (3/8" OD, 1/4" ID) | Tube nuts (x2) |
| Suction strainer (C-342-6) | Silicon Oil, 5 ml bottle |
| Suction ceramic weight | Instruction manual |
| Discharge tube – opaque polyethylene
5' length (3/8" OD, 1/4" ID) | |
| Discharge injection fitting with 1/2 psi check (A-014N-6A) | |

Model Number Matrix

FLEXFLO® Model Number

A1N	FLEXFLO® Peristaltic Metering Pump								
Maximum Motor RPM									
0	14 RPM								
1	30 RPM								
2	45 RPM								
3	60 RPM								
Power Cord									
0	115V / 60HZ, power cord NEMA 5/15 plug (US)								
1	220V / 50HZ, power cord CEE7/VII plug (EU)								
Input/Output Control									
F	Analog Manual Speed Control (Dial Knob)								
V	Digital Speed Control with external input (4-20ma, 0-10VDC, and Frequency/Pulse)								
Pump Tube Material, Pump Tube Size									
1	1/4" OD Flex-A-Thane®, 65 PSI								
2	3/8" OD Flex-A-Thane®, 65 PSI								
3	7/16" OD Flex-A-Thane®, 50 PSI								
Polymer Pump Model									
P	Polymer Pump equipped with TFD+								
A1N	0	0	F	-	1	T	-	P	Sample Model Number

Accessories

 <p>KIT-S07 KIT-S15 KIT-S30</p> <p><small>* Includes cover and foot valve</small></p> <p>KIT-S07 (7 Gallon), KIT-S15 (15 Gallon), KIT-S30 (30 Gallon) STAR III TANKS, PP</p>	 <p>KIT-PSM WALL MOUNT BRACKET, HDPE</p>	 <p>A1-1T, A1-2T, A1-3T Spare Tube Element</p>
 <p>T140-6V T.I. INJECTOR, 3/8" OD</p>	 <p>C-340A FOOT VALVE</p>	 <p>A-014NK-6A PVDF INJECTOR</p>

Visit [Accessory Pages](#) for more Options

PERISTALTIC PUMP WARRANTY

LIMITED WARRANTY

Your Blue-White product is a quality product and is warranted for a specific time from date of purchase (proof of purchase is required). The product will be repaired or replaced at our discretion. Failure must have occurred due to defect in material or workmanship and not as a result of operation of the product other than in normal operation as defined in the product manual. Warranty status is determined by the product's serial label and the sales invoice or receipt. The serial label must be on the product and legible. The warranty status of the product will be verified by Blue-White or a factory authorized service center. Pump Head and roller assembly is warranted against damage from chemical attack when proper TFD (Tube Failure Detection) system instructions and maintenance procedures are followed.

FLEXFLO® A1, A2, A3, A4, and A5 pumps are warranted for 2 years from date of purchase (proof of purchase is required). FLEXFLO® A-100N Pumps are warranted for 1 year from date of purchase (proof of purchase is required). Pumps will be repaired or replaced at our discretion. Pump Head and roller assembly is warranted for 2 years against damage from chemical attack when proper TFD (Tube Failure Detection) system instructions and maintenance procedures are followed.

WHAT IS NOT COVERED

- FLEXFLO® Pump Tube Assemblies and rubber components
They are perishable and require periodic replacement.
- Pump removal, or re-installation, and any related labor charge.
- Freight to the factory, or service center.
- Products that have been tampered with, or in pieces.
- Damage resulting from misuse, carelessness such as chemical spills on the enclosure, abuse, lack of maintenance, or alteration which is out of our control.
- Damage by faulty wiring, power surges or acts of nature.

BLUE-WHITE does not assume responsibility for any loss, damage, or expense directly or indirectly related to or arising out of the use of its products. Failure must have occurred due to defect in material or workmanship and not as a result of operation of the product other than in normal operation as defined in the pump manual.

Warranty status is determined by the pump's serial label and the sales invoice or receipt. The serial label must be on the pump and legible. The warranty status of the pump will be verified by Blue-White or a factory authorized service center.

PROCEDURE FOR IN WARRANTY REPAIR

Warranty service must be performed by the factory or an authorized service center. Contact the factory or local repair center to obtain a RMA (Return Material Authorization) number. It is recommended to include foot strainer and injection/check valve fitting since these devices may be clogged and part of the problem. Decontaminate, dry, and carefully pack the product to be repaired. Please enclose a brief description of the problem and proof of purchase. Prepay all shipping and insurance cost. COD shipments will not be accepted. Damage caused by improper packaging is the responsibility of the sender. When In-Warranty repair is completed, the factory pays for return shipping to the dealer or customer.

PRODUCT USE WARNING

Blue-White products are manufactured to meet the highest quality standards in the industry. Each product instruction manual includes a description of the associated product warranty and provides the user with important safety information. Purchasers, installers, and operators of Blue-White products should take the time to inform themselves about the safe operation of these products. In addition, Customers are expected to do their own due diligence regarding which products and materials are best suited for their intended applications. BLUE-WHITE is pleased to assist in this effort but does not guarantee the suitability of any particular product for any specific application as Blue-White does not have the same degree of familiarity with the application that the customer/end user has. While BLUE-WHITE will honor all of its product warranties according to their terms and conditions, Blue-White shall only be obligated to repair or replace its defective parts or products in accordance with the associated product warranties.

BLUE-WHITE SHALL NOT BE LIABLE EITHER IN TORT OR IN CONTRACT FOR ANY LOSS OR DAMAGE WHETHER DIRECT, INDIRECT, INCIDENTAL, OR CONSEQUENTIAL, ARISING OUT OF OR RELATED TO THE FAILURE OF ANY OF ITS PARTS OR PRODUCTS OR OF THEIR NONSUITABILITY FOR A GIVEN PURPOSE OR APPLICATION.

CHEMICAL RESISTANCE WARNING

BLUE-WHITE offers a wide variety of wetted parts. Purchasers, installers, and operators of Blue-White products must be well informed and aware of the precautions to be taken when injecting or measuring various chemicals, especially those considered to be irritants, contaminants or hazardous. Customers are expected to do their own due diligence regarding which products and materials are best suited for their applications, particularly as it may relate to the potential effects of certain chemicals on Blue-White products and the potential for adverse chemical interactions. Blue-White tests its products with water only. The chemical resistance information included in this instruction manual was supplied to BLUE-WHITE by reputable sources, but Blue-White is not able to vouch for the accuracy or completeness thereof. While BLUE-WHITE will honor all of its product warranties according to their terms and conditions, Blue-White shall only be obligated to repair or replace its defective parts or products in accordance with the associated product warranties.

BLUE-WHITE SHALL NOT BE LIABLE EITHER IN TORT OR IN CONTRACT FOR ANY LOSS OR DAMAGE, WHETHER DIRECT, INDIRECT, INCIDENTAL, OR CONSEQUENTIAL, ARISING OUT OF OR RELATED TO THE USE OF CHEMICALS IN CONNECTION WITH ANY BLUE-WHITE PRODUCTS.

Users of electrical and electronic equipment (EEE) with the WEEE marking per Annex IV of the WEEE Directive must not dispose of end of life EEE as unsorted municipal waste, but use the collection framework available to them for the return, recycle, recovery of WEEE and minimize any potential effects of EEE on the environment and human health due to the presence of hazardous substances. The WEEE marking applies only to countries within the European Union (EU) and Norway. Appliances are labeled in accordance with European Directive 2002/96/EC. Contact your local waste recovery agency for a Designated Collection Facility in your area.