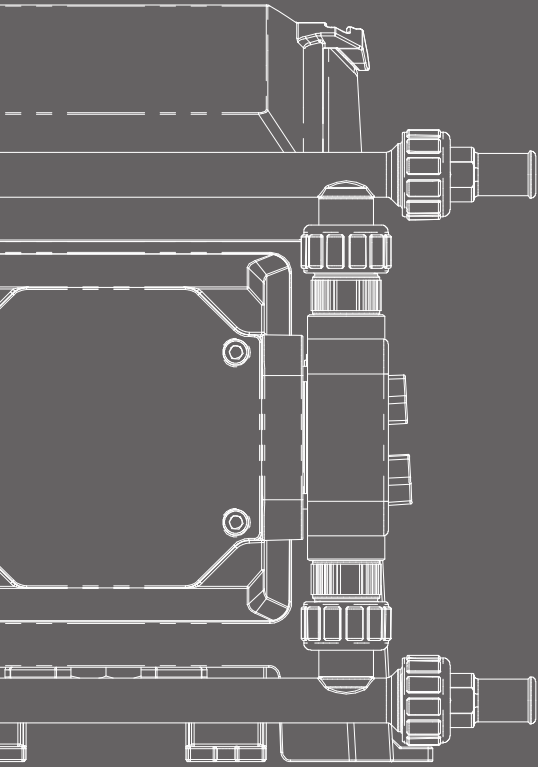


INDUSTRIAL CATALOG

2024 Rev. 1 03/25/2024



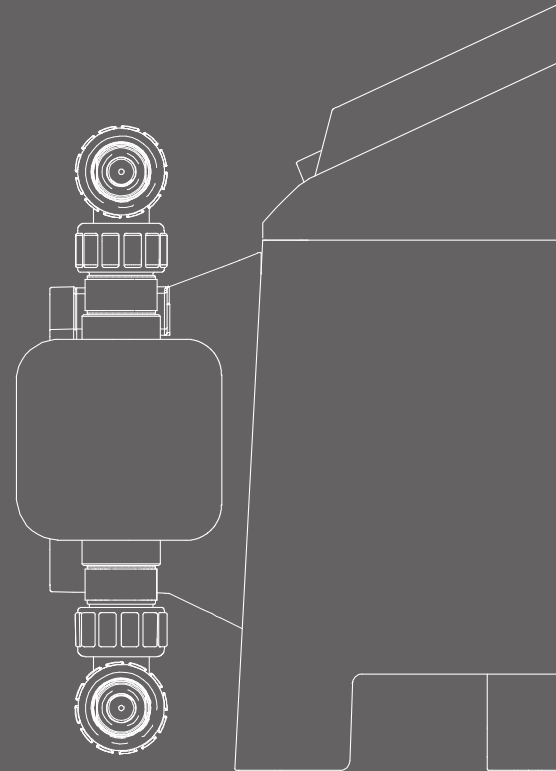
Blue-White[®]



INDUSTRIAL

Diaphragm
Metering Pumps

Blue-White[®]



CD1

CHEM-FEED® Multi-Diaphragm Metering Pump



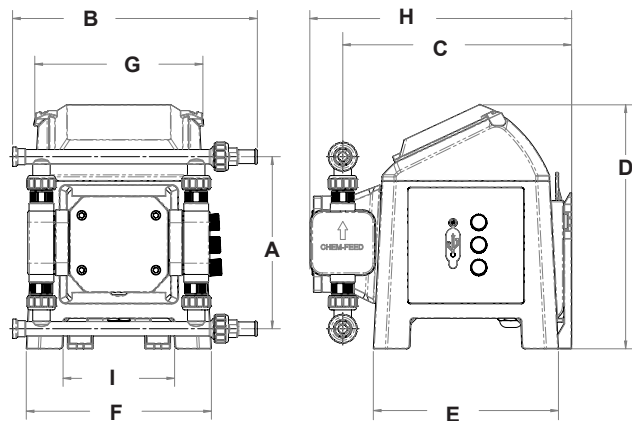
- > Smooth chemical dosing, no pulsation dampener needed
- > Diaphragm Failure Detection system senses diaphragm failure
- > Remote Start/Stop
- > Relay outputs include a single 250V/3A and a single solid state
- > SCADA I/O include: 4-20 mA input, 4-20 mA output
- > 1/4" x 3/8" inlet/outlet connections standard (1/2" MNPT and 1/2" Hose Barb fittings available)

Highlights

Flow range	Pressures up to	Turndown ratio	Suction lift
.004 - 8.50 GPH .016 - 32.2 LPH	150 PSI (10.3 bar)	2,000 : 1	20 ft. at 0 PSI
Exclusive	Motor	Weight	Warranty
Diaphragm Failure Detection (DFD)	Brushless DC	8.5 lb. (3.8 Kg)	2 Years

Dimensions

Dim	Inch	Cm	Dim	Inch	Cm
A	6.67"	16.94	F	7.18"	18.23
B	9.49"	24.10	G	6.52"	16.55
C	8.87"	22.54	H	10.40"	26.41
D	9.46"	24.02	I	4.32"	10.98
E	7.18"	18.23			



What's in the box

- CD1 Multi-Diaphragm Metering Pump
- Discharge injection fitting with check valve, PVDF/Aflas (C-395NK-6A)
- Suction tube – clear PVC – 5' length (3/8" OD, 1/4" ID)
- Suction foot valve / strainer, PVDF (71010-261)
- Suction ceramic weight
- Discharge tube – opaque polyethylene – 5' length (3/8" OD, 1/4" ID)
- Mounting hardware kit
- Display shield
- Instruction manual
- (M12 cables not included)



Model Number Matrix

CHEM-FEED® Model Number

CD1	CHEM-FEED® Diaphragm Metering Pump				
Control					
F	Standard Control Methods (Manual, Remote, FVS)				
V	4-20mA Input, 4-20mA Output, in addition to Standard Control Methods (Manual, Remote, FVS)				
Diaphragm and O-Rings Material					
V	DiaFlex® Diaphragms and TFE/P O-Rings (For all chemicals excluding caustic soda and aqueous ammonia)				
E	Flex-A-Prene® Diaphragms and EP O-Rings (For caustic soda and aqueous ammonia)				
Pump Fittings (Inlet / Outlet)					
B	1/2" ID Barb Straight Fittings				
C	1/2" ID Barb Elbow Fittings				
S	1/4" x 3/8" Compression Straight Fittings				
T	1/4" x 3/8" Compression Elbow Fittings				
M	1/2" M/NPT Straight Fittings				
X	1/2" M/NPT Elbow Fittings				
Power Cord - Removable (Operating voltage requirement 96VAC to 264VAC)					
4	115V 50/60Hz, power cord NEMA 5/15 plug (US)				
6	220V 50/60Hz, power cord CEE 7/11 plug (EU)				
X	No Power Cord Provided (Power cord is required - See accessories for power cord options)				
CD1	F	V	B	4	Sample Model Number

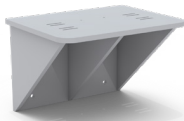
Accessories



KIT-S07
KIT-S15
KIT-S30

* Includes cover and foot valve

KIT-S07 (7 Gallon), KIT-S15 (15 Gallon), KIT-S30 (30 Gallon)
STAR III TANKS, PP



KIT-PSM
WALL MOUNT BRACKET, HDPE



CABLE-UAC
USB A-C CABLE - 3 ft

POWER CABLES - 6 ft
90010-663 115V/60Hz NEMA 5/15
90010-664 220V/50Hz CEE 7/11
90010-665 230V/50Hz BS 1363/A
90010-666 240V/50Hz AS 3112
90010-696 230V/60Hz NEMA 6/15
90010-821 115V Lockable

POWER CABLES



KIT-M12
TWO M12 CABLES - 9.8 ft



KIT-CQA (Aflas) / KIT-CQE (EP)
QUICK CONNECT KIT MD1

Teflon Ball Check Cartridge Valve Kit (PVDF body, TFE/P O-rings, PTFE balls)
4 cartridges included.
(3 Double-Ball, 1 De-Gas)

KIT-DVA1-P PTFE Ball Check

Visit Accessory Pages for More Options

CD3

CHEM-FEED® Multi-Diaphragm Metering Pump

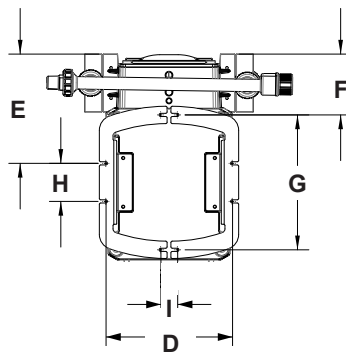
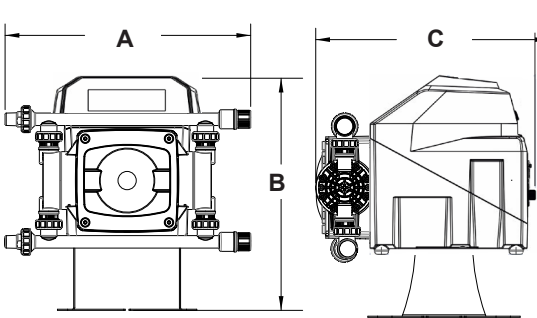


- > Diaphragm Failure Detection system senses diaphragm failure
- > Exclusive Patented DiaFlex® PVDF single-layer diaphragm
- > Smooth chemical dosing, no pulsation dampener needed
- > Multi-diaphragm technology eliminates vapor locking
- > Signal inputs include: 4-20mA, pulse inputs, and remote start/stop

Highlights

Flow range .05 - 52.6 GPH .2 - 199 LPH	Pressures up to 145 PSI (10 bar)	Turndown ratio 1,000 : 1	Suction lift 23 ft. Water, 0 psig (7 m, 0 bar)
Exclusive Diaphragm Failure Detection (DFD)	Motor Brushless DC Motor	Weight 48 lb. (21.77 Kg)	Warranty 2 Years

Dimensions



Dim	Inch	cm	Dim	Inch	cm
A	16.13"	40.97	F	4.00"	10.15
B	16.29"	41.37	G	8.86"	22.50
C	14.12"	35.86	H	2.50"	6.35
D	8.30"	21.08	I	1.10"	2.79
E	7.24"	18.37			

What's in the box

- CD3 Multi-Diaphragm Metering Pump
- Suction foot valve, PVDF, 1/2" MNPT or 1/2" Hose Barb
- Injector, PVDF, 1/2" MNPT or 1/2" Hose Barb
- Mounting hardware kit, including extended mounting brackets
- Fitting Kit (model specific)
 - 1/2" M/NPT Elbow connections, or
 - 1/2" M/NPT Straight connections, or
 - 1/2" Hose barb Straight connections, or
 - 1/2" Hose Barb Elbow connections
 - Union nuts
- QR Code link to Operating Manual
- Not included: Suction Tubing, Discharge Tubing, M12 Cables.**

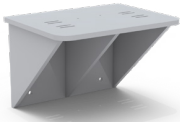






Model Number Matrix

CHEM-FEED® Model Number

CD3S	CHEM-FEED® Multi-Diaphragm Metering Pump							
Maximum Strokes per Minute								
2	380 SPM (190 RPM)							
Input Voltage / Power Cord								
4	115V / 60Hz, power cord NEMA 5/15 plug (US)							
5	230V / 60Hz, power cord NEMA 6/15 plug (US)							
6	220V / 50HZ, power cord CEE 7/VII plug (EU)							
8	240V / 50HZ, power cord AS 3112 plug (Australia/New Zealand)							
9	230V / 50HZ, power cord BS 1363/A plug (United Kingdom)							
X	No Power Cord (Pump requires power cord. See accessories for other power cord options)							
Stroke Length / Diaphragm Size								
4	.090" Stroke - Large Diaphragm							
Electrical								
X	Standard Equipment - C13 power cord connector, six M12 signal connectors, Ethernet/Modbus port & Profibus M12 connector.							
Elastomer Material (O-Rings)								
V	DiaFlex Diaphragms and TFE/P O-rings (For most chemicals, not compatible with Sodium Hydroxide and Aqueous Ammonia)							
E	Flex-A-Prene Diaphragms and EPDM O-rings (for Sodium Hydroxide and Aqueous Ammonia)							
Pump Head Fittings and Foot Valve								
X	1/2" M/NPT Elbow Fittings & 1/2" M/NPT Footvalve							
M	1/2" M/NPT Straight Fittings & 1/2" M/NPT Footvalve							
B	1/2" Barb Straight Fittings & 1/2" Barb Footvalve							
C	1/2" Barb Elbow Fittings & 1/2" Barb Footvalve							
Check Balls								
(Blank)	Standard							
H	PTFE balls (double ball check valves) low viscosity/density fluids only							
CD3S	2	4	4	X	V	X	-	Sample Model Number

Accessories

 <p>KIT-PSM Wall Mount Bracket, HDPE</p>	 <p>71000-579 PVDF INJECTOR, 1/2" Hose Barb 71000-577 PVDF INJECTOR, 1/2" MNPT</p>	 <p>76001-361 Suction Tubing, Clear PVC, 1/2" ID, 8ft 90008-437 Discharge Tubing, Braided PVC, 1/2" ID</p>	<p>Ball Check Cartridge Options</p> <p>20000-228 (2 req.) Ball Check Cart. Hastelloy Balls 70001-409 (4 req.) Ball Check Cart., Single Ceramic Ball with Hastelloy Spring</p>
 <p>KIT-M12 Two M12 Cables - 9.8 ft.</p>	 <p>KIT-DP3 Profibus Cable, 3 ft</p>	<p>90010-663 115V/60Hz NEMA 5/15 90010-664 220V/50Hz CEE 7/V11 90010-665 230V/50Hz BS 1363/A 90010-666 240V/50Hz AS 3112 90010-696 230V/60Hz NEMA 6/15 90010-711 115V Lockable</p> <p>POWER CABLES - 6 ft</p>	<p>Visit Accessory Pages for More Options</p>

C2

CHEM-FEED® Diaphragm Metering Pump



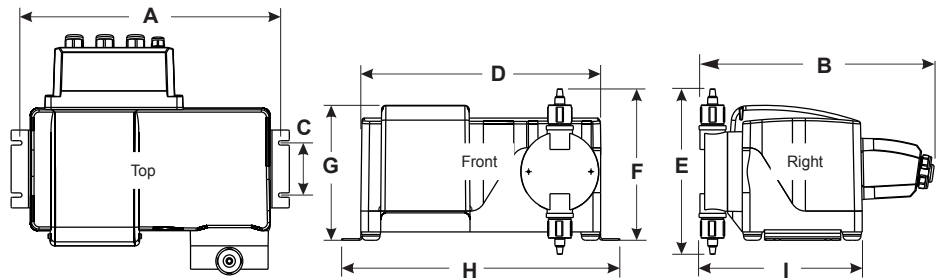
- > Built-in leak detection (DFD) senses diaphragm failure
- > Exclusive Patented DiaFlex® diaphragm
- > Signal inputs include: 4-20mA, pulse inputs, and Remote start/stop
- > Signal outputs include: Relay (3 amp)

Highlights

Flow range	Pressures up to	Turndown ratio	Suction lift
.02 - 16.5 GPH .09 - 62.5 LPH	175 PSI (12 bar)	100 : 1	15 ft. Water, 0 psig (4.5 m, 0 bar)
Exclusive	Motor	Weight	Warranty
Diaphragm Failure Detection (DFD)	Brushed DC	31 lb. (14.06 Kg)	2 Years

Dimensions

Dim	Inch	cm	Dim	Inch	cm
A	14.1"	35.8	F	7.3"	18.5
B	11.5"	29.2	G	6.5"	16.4
C	2.5"	6.4	H	15"	38.1
D	13.1"	33.3	I	8"	20.3
E	7.9"	20.1			



NOTE: Optional Extended Bracket adds 4.5" (11.43cm) to overall height (dimension F and G).

What's in the box

- C2 Diaphragm Metering Pump
- Discharge injection fitting with check valve
- Option "A,B,C"** – ½" ID x ¾" OD tubing pump head
 - ½" hose barb injector • ½" hose barb foot valve
 - Tubing and hose clamp
- Option "D"** – ¼" ID x ¾" OD Tubing pump head
 - Suction foot valve and ceramic weight
 - Injector, suction tubing - 10 ft.
 - discharge tubing - 10ft.

- Option "E"** – ½" M/NPT inlet and outlet, with ½" M/NPT injection fitting
 - ½" M/NPT injector • ½" M/NPT foot valve
- Option "F"** – ½" F/NPT inlet and outlet, with ½" M/NPT injection fitting
 - ½" M/NPT injector • ½" M/NPT foot valve
- Mounting hardware kit
- Junction box connectors
- QR Code link to Operating manual

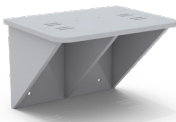


Model Number Matrix


Model Number

C2	Diaphragm metering pump							
Series								
F	Single manual output control (manual/local control only)							
V	Multiple automatic input output control and alarm modes (remote control)							
Input Voltage								
4	115V / 60Hz, power cord NEMA 5/15 plug (US)			8	240V / 50HZ, power cord AS 3112 plug (AU/New Zealand)			
5	230V / 60Hz, power cord NEMA 6/15 plug (US)			9	230V / 50HZ, power cord BS 1363 plug (UK)			
6	220V / 50Hz, power cord CEE 7/VII plug (EU)							
CAM Stroke Length and Diaphragm Size								
1	.060" (1.52 mm) stroke with small diaphragm .10–10 GPH 175 PSI							
2	.060" (1.52 mm) stroke with large diaphragm .165–16.5 GPH 175 PSI							
3	.040" (1.02 mm) stroke with small diaphragm .067–6.7 GPH 175 PSI							
5	.040" (1.02 mm) stroke with Micro-Feed .02–2.3 GPH 150 PSI							
6	.060" (1.52 mm) stroke with Micro-Feed .04–4.0 GPH 150 PSI							
Electrical Options								
X	Standard equipment							
Elastomer Material (o-rings)								
V	TFE/P			E	EP (Ethylene Propylene)			
Fitting Connection Types								
A	1/2" Hose Barb Inlet, 1/2" Male NPT Outlet, with 1/2" Male NPT Injection Fitting							
B	1/2" Hose Barb Inlet, 1/2" Female NPT Outlet, with 1/2" Male NPT Injection Fitting							
C	1/2" Hose Barb Inlet and Outlet, with 1/2" ID Hose Barb Injection Fitting							
D	3/8" OD Tube Compression Inlet, Outlet, and Injection Fitting							
E	1/2" Male NPT Inlet and Outlet, with 1/2" Male NPT Injection Fitting							
F	1/2" Female NPT Inlet and Outlet, with 1/2" Male NPT Injection Fitting							
Diaphragm Type								
(Blank)	Standard DiaFlex® Diaphragm							
S	Flex-A-Prene® Diaphragm (Caustic Soda resistant diaphragm)							
C2	F	2	4	1	X	V	A	Sample Model Number


Accessories



KIT-PSM
Wall Mount Bracket, HDPE



71000-555
PVDF INJECTOR, 1/4" ID tubing
71000-579
PVDF INJECTOR, 1/2" Hose Barb
71000-577
PVDF INJECTOR, 1/2" MNPT



C-334-6-10
Suction Tubing, Clear PVC 1/4"x 3/8", 10 ft
C-335-6-25
Discharge Tubing, PE, 1/4" x 3/8", 25 ft
76001-361
Suction Tubing, Clear PVC, 1/2" ID, 8ft
90008-437
Discharge Tubing, Braided PVC, 1/2" ID

Ball Check Cartridge Options

20000-228
Ball Check Cart. Hastelloy Balls
20000-229
Ball Check Cart. PTFE Balls
70001-409 (2 req.)
Ball Check Cart., Single Ceramic Ball with Hastelloy Spring

Visit Accessory Pages for More Options

C3

CHEM-FEED® Diaphragm Metering Pump



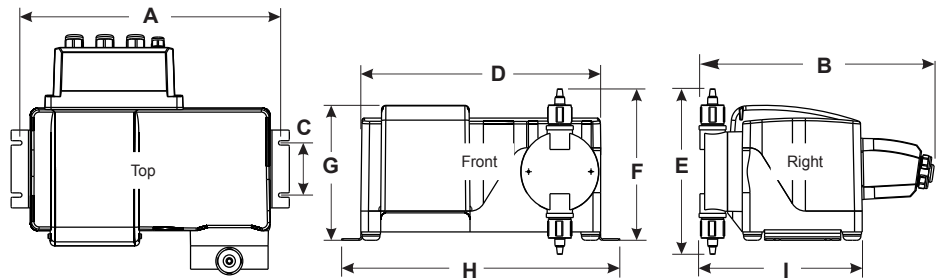
- > Built-in leak detection (DFD) senses diaphragm failure
- > Exclusive Patented DiaFlex® diaphragm
- > Signal inputs include: 4-20mA ("V" Model), pulse inputs ("V" Model), and Remote start/stop
- > Signal outputs include: Relay (3 amp) and 4-20mA ("V" Model)

Highlights

Flow range	Pressures up to	Turndown ratio	Suction lift
.262 - 40.6 GPH .99 - 154 LPH	150 PSI (10.3 bar)	100 : 1	15 ft. Water, 0 psig (4.5 m, 0 bar)
Exclusive	Motor	Weight	Warranty
Diaphragm Failure Detection (DFD)	Brushed DC	31 lb. (14.06 Kg)	2 Years

Dimensions

Dim	Inch	cm	Dim	Inch	cm
A	14.1"	35.8	F	7.8"	19.8
B	12"	30.5	G	6.5"	16.5
C	2.5"	6.4	H	15"	38.1
D	13.1"	33.3	I	8"	20.3
E	9"	22.9			



NOTE: Optional Extended Bracket adds 4.5" (11.43cm) to overall height (dimension F and G).

What's in the box

- C2 Diaphragm Metering Pump
- Discharge injection fitting with check valve
- Option "A","B"** – ½" ID x ¾" OD tubing pump head
 - ½" M/NPT injector • ½" hose barb foot valve
 - Tubing and hose clamp
- Option "C"** – ½" ID x ¾" OD tubing pump head
 - ½" hose barb injector • ½" hose barb foot valve
 - Tubing and hose clamp

- Option "E"** – ½" M/NPT inlet and outlet, with ½" M/NPT injection fitting
 - ½" M/NPT injector • ½" M/NPT foot valve
- Option "F"** – ½" F/NPT inlet and outlet, with ½" M/NPT injection fitting
 - ½" M/NPT injector • ½" M/NPT foot valve
- Mounting hardware kit
- Junction box connectors
- QR Code link to Operating Manual

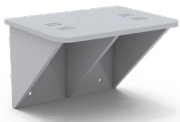


Model Number Matrix


Model Number

C3	Diaphragm metering pump									
Series										
F	Single manual output control (manual/local control only)									
V	Multiple automatic input/output control and alarm modes (remote control)									
Input Voltage										
4	115V / 60Hz, power cord NEMA 5/15 plug (US)				8	240V / 50HZ, power cord AS 3112 plug (AU/New Zealand)				
5	230V / 60Hz, power cord NEMA 6/15 plug (US)				9	230V / 50HZ, power cord BS 1363 plug (UK)				
6	220V / 50HZ, power cord CEE 7/VII plug (EU)									
CAM Stroke Length and Diaphragm Size										
1	.060" (1.52 mm) stroke with large diaphragm .262–26.2 GPH 150 PSI									
2	.100" (2.54 mm) stroke with large diaphragm .406–40.6 GPH 100 PSI									
Electrical Options										
X	Standard equipment with "F" Series only									
A	Standard equipment with "V" Series only - includes 4-20ma output									
Elastomer Material (o-rings)										
V	TFE/P				E	EP (Ethylene Propylene)				
Fitting Connection Types										
A	1/2" Hose Barb Inlet, 1/2" Male NPT Outlet, with 1/2" Male NPT Injection Fitting									
B	1/2" Hose Barb Inlet, 1/2" Female NPT Outlet, with 1/2" Male NPT Injection Fitting									
C	1/2" Hose Barb Inlet and Outlet, with 1/2" ID Hose Barb Injection Fitting									
E	1/2" Male NPT Inlet and Outlet, with 1/2" Male NPT Injection Fitting									
F	1/2" Female NPT Inlet and Outlet, with 1/2" Male NPT Injection Fitting									
Diaphragm Type										
(Blank)	Standard DiaFlex® Diaphragm									
S	Flex-A-Prene® Diaphragm (Caustic Soda resistant diaphragms)									
C3	F	2	4	1	X	V	A	Sample Model Number		


Accessories



KIT-PSM
Wall Mount Bracket, HDPE



71000-555
PVDF INJECTOR, 1/4" ID tubing
71000-579
PVDF INJECTOR, 1/2" Hose Barb
71000-577
PVDF INJECTOR, 1/2" MNPT



C-334-6-10
Suction Tubing, Clear PVC 1/4"x 3/8", 10 ft
C-335-6-25
Discharge Tubing, PE, 1/4" x 3/8", 25 ft
76001-361
Suction Tubing, Clear PVC, 1/2" ID, 8ft
90008-437
Discharge Tubing, Braided PVC, 1/2" ID

Ball Check Cartridge Options

20000-228
Ball Check Cart. Hastelloy Balls
20000-229
Ball Check Cart. PTFE Balls
70001-409 (2 req.)
Ball Check Cart., Single Ceramic Ball with Hastelloy Spring

Visit Accessory Pages for More Options

C-600P

CHEM-FEED® Diaphragm Metering Pump



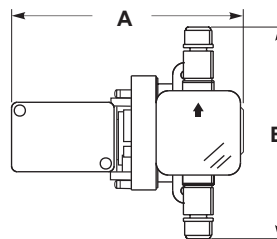
- > All ball bearing, permanently lubricated gear motor
- > Double-ball inlet and outlet cartridge type ceramic check valves
- > Stroke adjustment from 4-100%
- > Fixed speed
- > Mechanical Cam
- > Output Adjustment

Highlights

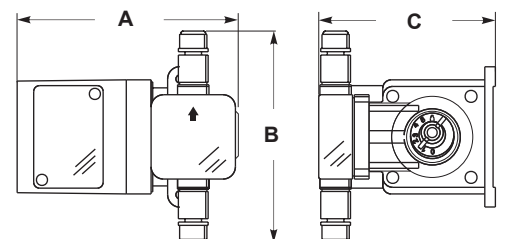
Outputs	Pressures up to	Turndown ratio	Max. fluid temp.
1 - 21.5 GPH 4 - 81.4 LPH	125 PSI (8.6 bar)	27 : 1	130 °F (54 °C)
Max. suction lift	Motor	Weight	Warranty
10 ft. Water 0 psig	AC Shaded Pole	8 lb. (3.63 Kg)	1 Year

Dimensions

Dim	DC Powered Models		AC Powered Models	
	Inch	cm	Inch	cm
A	7.22"	18.3	10.25"	26
B	6.25"	15.9	7.5"	19
C	5.31"	13.5	14"	35.6



DC Powered Models



AC Powered Models

What's in the box

- C-600P Diaphragm Metering Pump
- Discharge injection fitting with check valve (C-395N-6A)
- Suction tube – clear PVC – 5' length (3/8" OD, 1/4" ID)
- Suction foot valve / strainer (C-340A)
- Suction ceramic weight
- Discharge tube – opaque polyethylene – 5' length (3/8" OD, 1/4" ID)
- Instruction manual



Model Number Matrix

Model Number

C-6	CHEM-FEED® Diaphragm Model Number				
Maximum Motor RPM					
14	14 RPM	60	60 RPM		
30	30 RPM	125	125 RPM		
45	45 RPM (Not available in 12V DC)	250	250 RPM (Not available in 12V DC)		
Power Supply Voltage¹					
115VAC	115V60Hz	24VAC	24V60Hz		
220VAC	220V50Hz (20% less output)	12VDC	12V DC		
230VAC	230V60Hz	24VDC	24V DC		
240VAC	240V60Hz				
C-6	14	P	-	115VAC	Sample Model Number

1. All models come with junction box only for wiring, except 220V models which include power cord/plug only.

Optional Accessories and Components

- 70000-193 PTFE coated FKM diaphragm
- 90010-110 Power Cord with Plug, 115V
- K-568A-4 Bullet Valve (Double Ball), Afas - 4 Pack
- K-568E-4 Bullet Valve (Double Ball), EP - 4 pack

Visit Accessory Pages for More Options

Output Specifications

DC powered models

Maximum Output at 0 PSI					
Strokes/Min RPM	Max PSI	GPD	GPH	LPH	OZ/MIN
14	125	33	1.4	5.3	2.9
30	125	74	3.1	11.7	6.5
45	80	112	4.7	17.8	10.0
60	60	148	6.2	23.5	13.2
125	30	316	13.2	49.9	28.1
250	10	516	21.5	81.4	45.8

AC powered models

Maximum Output at 0 PSI					
Strokes/Min RPM	Max PSI	GPD	GPH	LPH	OZ/MIN
14	125	24	1.0	3.8	2.7
30	125	58	2.4	9.3	5.2
45	80	91	3.8	14.9	8.1
60	60	110	4.6	17.4	9.8
125	30	237	9.9	37.0	21.1
250	10	389	16.2	61.4	34.6

C-600HV

CHEM-FEED® Diaphragm Metering Pump



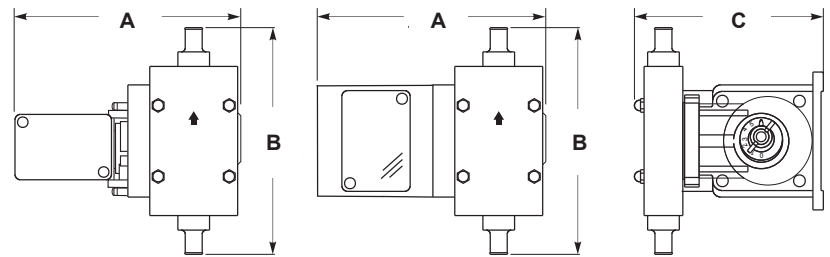
- > All ball bearing, permanently lubricated gear motor
- > High Volume Diaphragm Pump
- > Stroke adjustment from 4-100%
- > Fixed speed
- > Mechanical Cam
- > Output Adjustment

Highlights

Outputs	Pressures up to	Turndown ratio	Max. fluid temp.
1.74 - 47.1 GPH 6.6 - 178.3 LPH	20 PSI (1.4 bar)	27 : 1	130 °F (54 °C)
Max. suction lift	Motor	Weight	Warranty
10 ft. Water 0 psig	AC Shaded Pole	8 lb. (3.63 Kg)	1 Year

Dimensions

Dim	DC Powered Models		AC Powered Models	
	Inch	cm	Inch	cm
A	7.22"	18.3	6.75"	17.15
B	7"	17.78	7"	17.78
C	6.13"	15.5	6.13"	15.55



DC Powered Models

AC Powered Models

What's in the box

- C-600HV Diaphragm Metering Pump
- Discharge injection fitting with check valve (C-3391-10)
- Suction tube – clear PVC – 5' length (3/8" OD, 1/4" ID)
- Suction foot valve / strainer (C-3393-10)
- Suction ceramic weight
- Discharge tube – opaque polyethylene – 5' length (3/8" OD, 1/4" ID)
- Instruction manual



Model Number Matrix

Model Number

C-6	CHEM-FEED® High Volume (HV) Diaphragm Model Number				
Maximum Motor RPM					
60	60 RPM				
125	125 RPM				
250	250 RPM (Not available in 12V DC)				
Power Supply Voltage¹					
115VAC	115V60Hz			24VAC	24V60Hz
220VAC	220V50Hz (20% less output)			12VDC	12V DC
230VAC	230V60Hz			24VDC	24V DC
240VAC	240V60Hz				
C-6	60	HV	-	115VAC	Sample Model Number

1. All models come with junction box only for wiring, except 220V models which include power cord/plug only.

Optional Accessories and Components
C-3106NV FKM Diaphragm
F-5012V FKM O-ring (2 req.)
C-926V FKM Check (2 req.)
90010-110 Power Cord with Plug, 115V

Output Specifications

AC powered models

Maximum Output at 0 PSI					
Strokes/Min RPM	Max PSI	GPD	GPH	LPH	OZ/MIN
60	20	268	11.2	42.4	23.8
125	10	568	23.7	89.7	50.5
250	5	1,129	47.1	178.3	100.4

DC powered models

Maximum Output at 0 PSI					
Strokes/Min RPM	Max PSI	GPD	GPH	LPH	OZ/MIN
60	20	189	7.8	29.5	16.8
125	10	398	16.5	32.4	35.3
250	5	791	32.9	124.5	70.3

NOTE: For optimum diaphragm life, specify the pump to operate at the lowest possible RPM and pressure.

C-1500N

CHEM-FEED® Diaphragm Metering Pump



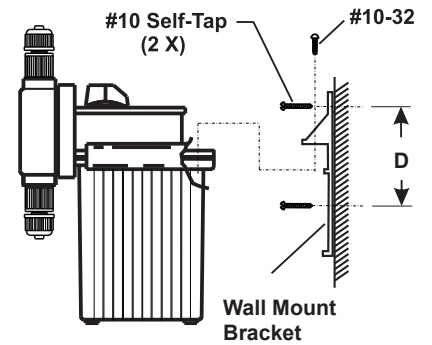
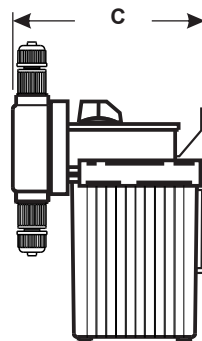
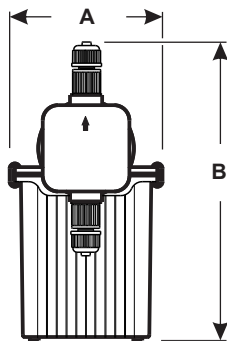
- > All ball bearing, permanently lubricated gear motor
- > Standard Models feature a mechanical stroke length control
- > Efficient design allows for a minimum stroke length of 5%

Highlights

Outputs	Pressures up to	Turndown ratio	Max. fluid temp.
.2 - 9.5 GPH .5 - 36 LPH	125 PSI (8.6 bar)	20 : 1	130 °F (54 °C)
Max. suction lift	Motor	Weight	Warranty
10 ft. Water 0 psig	AC Shaded Pole	8 lb. (3.18 Kg)	1 Year

Dimensions

Dim	Inch	cm
A	4.5"	11.43
B	9.06"	23.01
C	5.75"	14.61
D	2.3"	5.84



What's in the box

- C-1500N Diaphragm Metering Pump
- Discharge injection fitting with check valve
- Suction tube – clear PVC – 5' length (3/8" OD, 1/4" ID)
- Flow indicator
- Suction foot valve / strainer
- Suction ceramic weight
- Discharge tube – opaque polyethylene – 5' length (3/8" OD, 1/4" ID)
- Wall mount bracket
- Instruction manual



Model Number Matrix

C-1500N

C15N					0							Sample Model Number
-------------	--	--	--	--	----------	--	--	--	--	--	--	----------------------------

Maximum Motor RPM
1 = 30 RPM
2 = 45 RPM
3 = 60 RPM
4 = 125 RPM

Power Supply (motor protection)
0 = 115V60Hz(IP) 7 = 24V50Hz(none)*
1 = 220V50Hz (20% less output) (IP)
2 = 230V60Hz (IP)
3 = 24V60Hz (IP)
4 = 115V60Hz(TP)
5 = 220V50Hz(TP)
6 = 230V60Hz(TP)
8 = 240V50Hz(TP)
IP = Impedance protection, TP = Thermal protection *Intermittent duty only

Cam Stroke Length
1 = .125"
2 = .055"
3 = .187"
4 = .100"

Output Control & Electrical
X = Standard Equipment
A = Junction Box Replaces Power Cord

Pump Head Material
0 = Injection molded PVDF

Optional Accessories and Components

C-340-6T PTFE Foot Valve
 A-014NK-6A PVDF Injector (1/2 psi spring)
 C-395NK-6A PVDF Injector (6 psi spring)
 C-406VT-15N Large Diaphragm, PTFE/Viton
 R-106VT-15N Small Diaphragm PTFE/Viton
 Contact Factory for alternate bullet cartridge options

Footvalve
0 = C-340A (PVDF/Polypropylene)
1 = C-345A (PVDF/Polypropylene - bulkhead mount)

Injection Fitting
0 = A-014N (Polypropylene - 1/2 lb spring)
1 = C-395N (Polypropylene - 6 lb spring)
7 = A-014PN (PP1/2 lb short depth)
8 = C-395PN (PP 6 lb spring)
X = None

Elastomer Material
V = Viton
E = EP

Diaphragm Style
0 = Lg. PTFE/EP
6 = Sm. PTFE/EP

Pump Head Style
0 = Lg. Diaphragm
2 = Sm. Diaphragm
4 = Lg. Diaphragm Carwash
6 = Sm. Diaphragm Carwash

[Star Tank options available page 96](#)

Visit [Accessory Pages](#) for More Options

DIAPHRAGM PUMP WARRANTY

LIMITED WARRANTY

Your Blue-White product is a quality product and is warranted for a specific time from date of purchase (proof of purchase is required). The product will be repaired or replaced at our discretion. Failure must have occurred due to defect in material or workmanship and not as a result of operation of the product other than in normal operation as defined in the product manual. Warranty status is determined by the product's serial label and the sales invoice or receipt. The serial label must be on the product and legible. The warranty status of the product will be verified by Blue-White or a factory authorized service center.

CHEM-FEED® C2, C3, CD1 and CD3 pumps are warranted for 2 years from date of purchase (proof of purchase is required). CHEM-FEED®, C-600 and C-1500 Pumps are warranted for 1 year from date of purchase (proof of purchase is required). Pumps will be repaired or replaced at our discretion.

DIAFLEX® diaphragms are warranted for the life of the pump. Blue-White will replace a damaged diaphragm at no cost to the customer provided the pump was at all times operated within the guidelines included in the pump's operation manual. This warranty only applies to DIAFLEX® diaphragms, not the pumps themselves. Blue-White pumps are separately covered by warranties specific to them.

WHAT IS NOT COVERED

- Rubber components and wear components. They are perishable and require periodic replacement.
- Pump removal, or re-installation, and any related labor charge.
- Freight to the factory, or service center.
- Products that have been tampered with, or in pieces.
- Damage resulting from misuse, carelessness such as chemical spills on the enclosure, abuse, lack of maintenance, or alteration which is out of our control.
- Damage by faulty wiring, power surges or acts of nature.

BLUE-WHITE does not assume responsibility for any loss, damage, or expense directly or indirectly related to or arising out of the use of its products. Failure must have occurred due to defect in material or workmanship and not as a result of operation of the product other than in normal operation as defined in the pump manual.

Warranty status is determined by the pump's serial label and the sales invoice or receipt. The serial label must be on the pump and legible. The warranty status of the pump will be verified by Blue-White or a factory authorized service center.

PROCEDURE FOR IN WARRANTY REPAIR

Warranty service must be performed by the factory or an authorized service center. Contact the factory or local repair center to obtain a RMA (Return Material Authorization) number. It is recommended to include foot strainer and injection/check valve fitting since these devices may be clogged and part of the problem. Decontaminate, dry, and carefully pack the product to be repaired. Please enclose a brief description of the problem and proof of purchase. Prepay all shipping and insurance cost. COD shipments will not be accepted. Damage caused by improper packaging is the responsibility of the sender. When In-Warranty repair is completed, the factory pays for return shipping to the dealer or customer.

PRODUCT USE WARNING

Blue-White products are manufactured to meet the highest quality standards in the industry. Each product instruction manual includes a description of the associated product warranty and provides the user with important safety information. Purchasers, installers, and operators of Blue-White products should take the time to inform themselves about the safe operation of these products. In addition, Customers are expected to do their own due diligence regarding which products and materials are best suited for their intended applications. BLUE-WHITE is pleased to assist in this effort but does not guarantee the suitability of any particular product for any specific application as Blue-White does not have the same degree of familiarity with the application that the customer/end user has. While BLUE-WHITE will honor all of its product warranties according to their terms and conditions, Blue-White shall only be obligated to repair or replace its defective parts or products in accordance with the associated product warranties.

BLUE-WHITE SHALL NOT BE LIABLE EITHER IN TORT OR IN CONTRACT FOR ANY LOSS OR DAMAGE WHETHER DIRECT, INDIRECT, INCIDENTAL, OR CONSEQUENTIAL, ARISING OUT OF OR RELATED TO THE FAILURE OF ANY OF ITS PARTS OR PRODUCTS OR OF THEIR NONSUITABILITY FOR A GIVEN PURPOSE OR APPLICATION.

CHEMICAL RESISTANCE WARNING

BLUE-WHITE offers a wide variety of wetted parts. Purchasers, installers, and operators of Blue-White products must be well informed and aware of the precautions to be taken when injecting or measuring various chemicals, especially those considered to be irritants, contaminants or hazardous. Customers are expected to do their own due diligence regarding which products and materials are best suited for their applications, particularly as it may relate to the potential effects of certain chemicals on Blue-White products and the potential for adverse chemical interactions. Blue-White tests its products with water only. The chemical resistance information included in this instruction manual was supplied to BLUE-WHITE by reputable sources, but Blue-White is not able to vouch for the accuracy or completeness thereof. While BLUE-WHITE will honor all of its product warranties according to their terms and conditions, Blue-White shall only be obligated to repair or replace its defective parts or products in accordance with the associated product warranties.

BLUE-WHITE SHALL NOT BE LIABLE EITHER IN TORT OR IN CONTRACT FOR ANY LOSS OR DAMAGE, WHETHER DIRECT, INDIRECT, INCIDENTAL, OR CONSEQUENTIAL, ARISING OUT OF OR RELATED TO THE USE OF CHEMICALS IN CONNECTION WITH ANY BLUE-WHITE PRODUCTS.

Users of electrical and electronic equipment (EEE) with the WEEE marking per Annex IV of the WEEE Directive must not dispose of end of life EEE as unsorted municipal waste, but use the collection framework available to them for the return, recycle, recovery of WEEE and minimize any potential effects of EEE on the environment and human health due to the presence of hazardous substances. The WEEE marking applies only to countries within the European Union (EU) and Norway. Appliances are labeled in accordance with European Directive 2002/96/EC. Contact your local waste recovery agency for a Designated Collection Facility in your area.