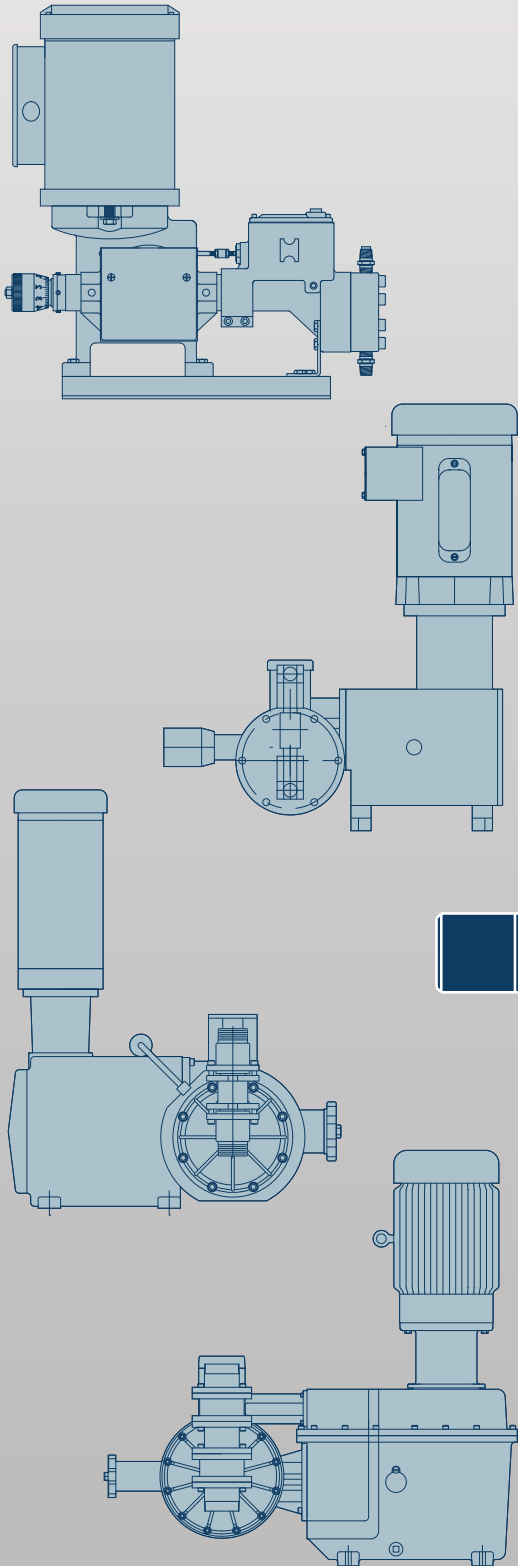


AquFlow

Metering Pumps & Systems

The Legendary Brand in Metering Pumps

Formerly Known as **HYDROFLO**



Complies with API 675 Standards



Manufactured in the USA

SERIES 3000

3000

SERIES



Features

- Flow capacities up to 920 GPH (Duplex)
- Pressure up to 700 PSI
- Modular design in aluminum housing
- Metering Accuracy +/- 1%
- Easy capacity controls - Manual/Auto
- Built-in Safety - Internal Relieve Valve
- Available in Duplex to double flow capacity
- Ability to handle difficult liquids like slurries, off-gasing, and high viscosity liquids

Specifications

Flow capacity adjustment: 0-100%
While the pump is **running** or **stopped**

Turndown Ratio

Stroke length - 36:1
Stroke frequency - 36:1
Combined - 360:1

Metering Accuracy

Steady state: +/- 1%
Linearity: +/- 1%
Combined: +/- 1%

Maximum process fluid temperature

Custom engineered metallic liquid end: 500°F (260°C)
Metallic liquid end/PTFE diaphragm: 250°F (121°C)
Plastic head: 140°F (60°C)

Hydraulic Oil

Oil capacity: 12 qt.

Plunger Stroke

Stroke length: 3"

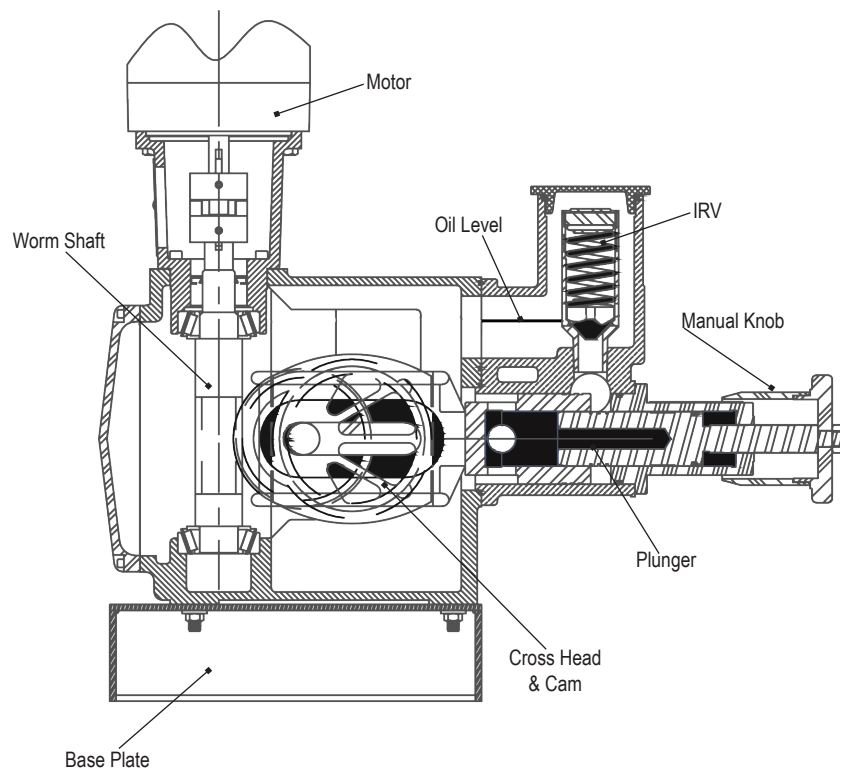
Displacement per stroke - by plunger size

1" - 2.3569 cu. in. (38.46 mL)
1-1/4" - 3.6738 cu. in. (60.20 mL)
1-1/2" - 5.2906 cu. in. (86.70 mL)
1-3/4" - 7.2063 cu. in. (118.09 mL)
2" - 9.4102 cu. in. (154.21 mL)
2-1/4" - 11.9023 cu. in. (195.04 mL)
2-1/2" - 14.1561 cu. in. (231.98 mL)

Liquid End Material Options

316 SS, Alloy 20, Hastelloy C, PVC, PVDF

Cross Section

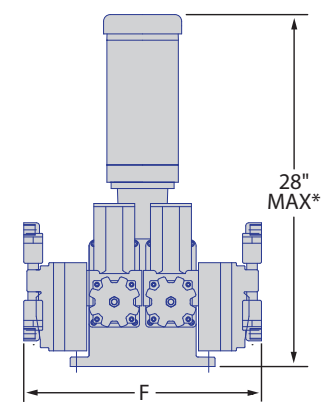
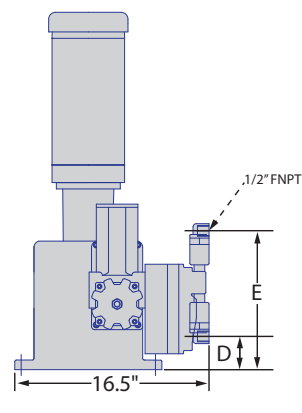
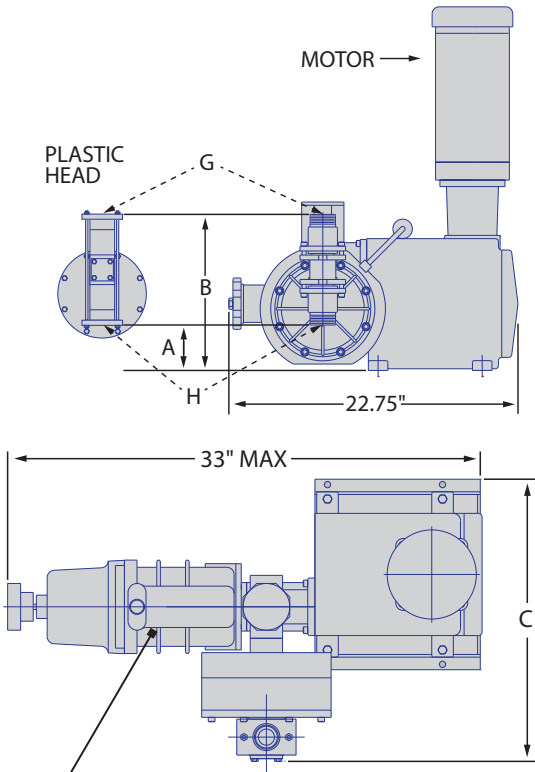


Pump Model Number	Capacity GPH (LPH)	Pressure PSI (bars)	Speed SPM	Plunger Diameter	Connection (Metallic - NPT)
CNIT 0844-0X018	24.11 (60.2)	700 (48)	44	1"	1/2"
CNIT 0858-0X018	31.78 (120.7)		58		
CNIT 0888-0X018	48.21 (181.7)		88		
CNIT 0812-0X018	64.10 (242.3)		117		
CNIT 0814-0X018	76.7 (287.7)		140		
CNIT 1044-0X018	37.88 (94.6)	405 (28)	44	1-1/4"	1/2"
CNIT 1058-0X018	49.94 (189.3)		58		
CNIT 1088-0X018	75.77 (286.5)		88		
CNIT 1012-0X018	100.74 (378.5)		117		
CNIT 1014-0X018	120.54 (454.2)		140		
CNIT 1244-0X018	54.37 (135.9)	265 (18)	44	1-1/2"	1/2"
CNIT 1258-0X018	71.67 (271.8)		58		
CNIT 1288-0X018	108.74 (412.6)		88		
CNIT 1212-0X018	144.57 (548.9)		117		
CNIT 1214-0X01A	172.99 (645.9)		140		
CNIT 1444-0X018	74.12 (185.1)	180 (12)	44	1-3/4"	1/2"
CNIT 1458-0X018	97.71 (370.2)		58		
CNIT 1488-0X018	148.24 (560.2)		88		
CNIT 1412-0X01A	197.1 (745.7)		117		
CNIT 1414-0X01A	235.84 (893.4)		140		
CNIT 1644-0X018	96.79 (241.9)	130 (9)	44	2"	1/2"
CNIT 1658-0X018	127.59 (484.5)		58		
CNIT 1688-0X01A	193.58 (724.6)		88		
CNIT 1612-0X01B	257.37 (976.6)		117		
CNIT 1614-0X01B	307.97 (1,165.9)		140		
CNIT 1844-0X018	122.42 (305.9)	95 (6)	44	2-1/4"	1/2"
CNIT 1858-0X018	161.38 (609.5)		58		
CNIT 1888-0X01A	244.85 (927.4)		88		
CNIT 1812-0X01B	325.54 (1,234.0)		117		
CNIT 1814-0X01C	389.53 (1,476.3)		140		
CNIT 2044-0X018	145.60 (378.5)	75 (5)	44	2-1/2"	1/2"
CNIT 2058-0X01A	191.93 (757.1)		58		
CNIT 2088-0X01B	291.21 (1,135.6)		88		
CNIT 2012-0X01C	387.17 (1,514.2)		117		
CNIT 2014-0X01C	463.28 (1,824.6)		140		

X = 4 for 316 SS, 5 for ALLOY 20, 6 for HAST C, 8 for PVC, A for PVDF | Performance curves for all models & series on page 18 and 19

Dimensions

Shown: Typical Series 3000 Model with Metallic Liquid End and 1-1/2" NPTM Discharge/Suction Connections)



Series 3000, Duplex

	A	B	C	D	E	F	G (NPT)	H (NPT)
Metallic	3-1/2"	12"	17-1/3"	2-1/3"	10-3/8"	20"	1-1/2" M	1-1/2" M
Plastic	4-5/8"	15-1/3"	18-5/8"	--	--	23-1/4"	1-1/4" F	1-1/4" F

*Standard motor. Subject to change depending on motor specs.
 **Standard weight is 250 lbs. Varies depending on material and configuration.

Series 3000 with ECCA (Electronic Capacity Control Adjuster)

ACCESSORIES



Calibration Columns:

- Help calibrate the pump accurately
- Should be based on the flow rate and chemical compatibility to the fluid
- Available as 0-10 liters in PVC, Stainless Steel, etc



Back Pressure Valves:

- Maintain steady shut off pressure for valves
- Allow for repeatability of a constant fluid discharge per stroke
- Available as 3/8" to 2" in PVC, Stainless Steel, Alloy 20, PVDF and Hastelloy C



Safety Relief Valves:

- For additional layer of safety from over pressurization
- Used when pumps are capable of higher pressure than the discharge line pressure
- Available as 3/8" to 2" in PVC, Stainless Steel, Alloy 20, PVDF and Hastelloy C

Pressure Gauge with Isolator:

- To visually see the functionality of the pump
- Isolator separates internal components from chemicals
- Available in PVC, Stainless Steel, Alloy 20, PVDF and Hastelloy C



Flow Meters:

- Detect low flow rate as low as 1.8 GPH
- Compatible with most chemicals

Strainers:

- To keep the debris away from check valves

Pulsation Dampeners:

- To get a pulse-less, steady flow
- Removes a high degree of pulsing and surging in the line
- Available as 0-10 liters in PVC, Stainless Steel, Alloy 20, PVDF and Hastelloy C



STANDARD RANGE OF CHEMINJECTOR PACKAGES

CHEMINJECTOR BASIC ASSEMBLY

Essential accessories like Back Pressure Valve, Pressure Relief Valve, Inlet and Discharge Valves, Connecting piping mounted on a simple skid along with the pump and motor.

CHEMINJECTOR STANDARD SYSTEM

In addition to the Basic Assembly components, we add Calibration Column, Inlet Strainer, Pressure Gauge with Isolator, Control Panel with On / Off Switch.

CHEMINJECTOR AUTO SYSTEM

This includes automation controls which can be communicated with a 4-20mA signal from a computer or a SCADA. Capacity is adjusted with either a VFD or ECCA (Stroke Adjuster).

CHEMINJECTOR AUTO PLUS SYSTEM

This also includes a feedback loop from a Flow Meter to ensure the accurate delivery of the chemical. This system also comes with an optional memory for record keeping.

CHEMINJECTOR AUTO PLUS REMOTE CONTROL SYSTEM

As the name suggests, this system has the additional capability to be controlled remotely using a radio signal or over the internet using a computer, tablet or smart phone.



Most Complete Line of Pumps

S 900 - 0 to 3.0 GPH, 0 to 3000 PSI

S 1000 - 0 to 62 GPH, 0 to 3000 PSI

S 2000 - 0 to 112 GPH, 0 to 1800 PSI

S 3000 - 0 to 482 GPH, 0 to 700 PSI

S 4000 - 0 to 3530 GPH, 0 to 3500 PSI

Corrosion Resistant Materials

**316 Stainless Steel, Alloy 20, Hastelloy C,
PVC, PVDF, Acrylic**

ChemInjector Chemical Systems

Complete customized chemical system

Uninterrupted chemical delivery

Perfectly matched accessories

Controls that are user friendly

All components proven to work together

Easy to operate, maintain and service

No downtime with parts availability

AQUFLOW WARRANTY - INDUSTRY LEADING

For Hydraulic diaphragm metering pumps manufactured in the USA!

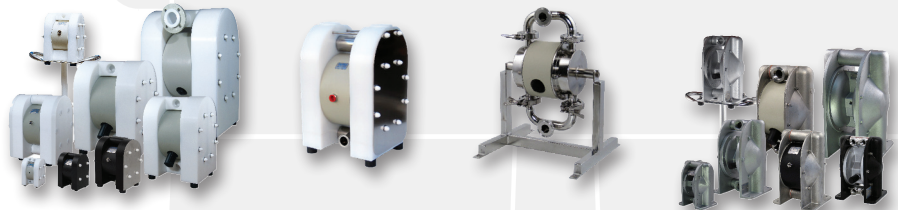
AquFlow has been manufacturing premium quality hydraulic diaphragm metering pumps for over 46 years since 1972. We have refined the design and perfected the performance over that period to earn a reputation as a maker of long-lasting durable pumps that never quit. We have numerous testimonials from our customers who had made the change from competitive pumps to AquFlow never to buy another brand again.

It is with this confidence that AquFlow offers a limited warranty for all its hydraulic diaphragm metering pumps that are manufactured in Irvine, California, USA up to 3 years on all pre-qualifications and registered applications.

OTHER PUMP LINES WE CARRY INCLUDE:

TAPFLO AIR OPERATED DIAPHRAGM PUMPS

Tapflo America sells high end Air Operated Diaphragm pumps made by Tapflo, a Sweden based manufacturer. Tapflo has a complete line of AODD pumps made out of corrosion resistant plastics and metals. Their plastic pump housings are machined out of solid block of material which ensure tighter tolerances and hence better sealing surfaces. This ensures longer leak-free life in comparison to molded plastic pumps.



Tapflo is also known for their line of sanitary and pharmaceutical pumps. Tapflo makes the only USP Class VI certified line of pharmaceutical pumps. Flow rates over 212 GPM in sizes up to 3" inlet and outlet.

AquFlow

Metering Pumps & Systems

AquFlow
1642 McGaw Avenue
Irvine, CA 92614 USA
sales@aquflow.com

Ph: 949-757-1753
Fax: 949-757-1687
www.aquflow.com

Follow Us:

