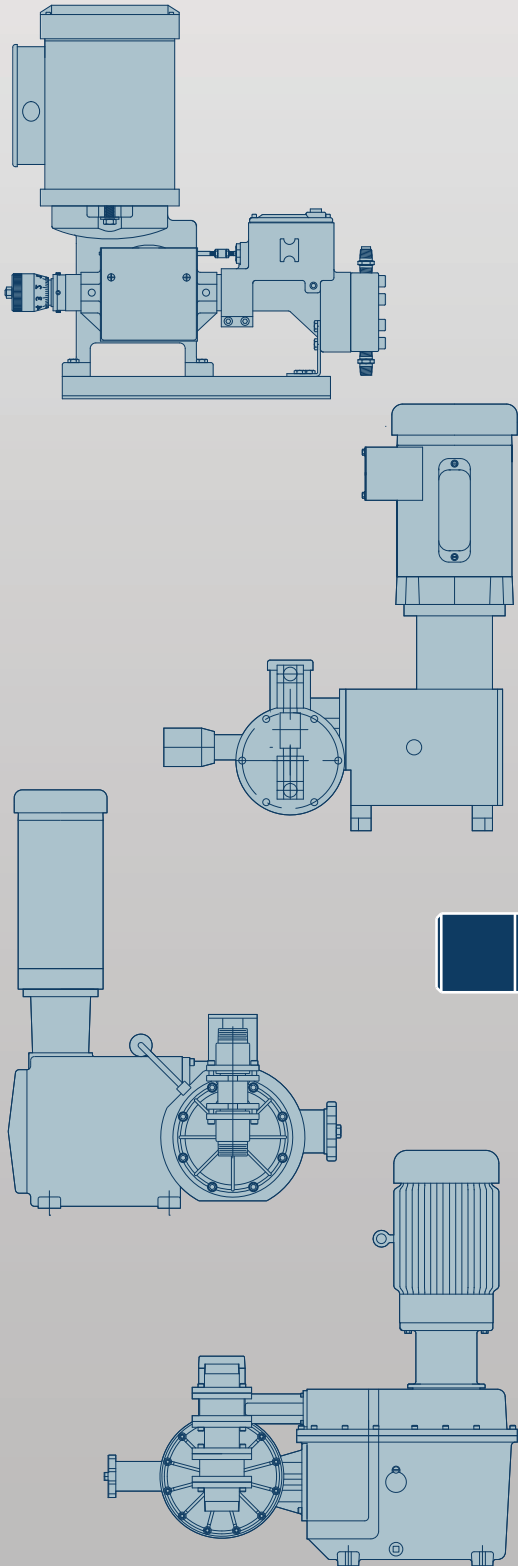


# AquFlow

Metering Pumps & Systems

## The Legendary Brand in Metering Pumps

Formerly Known as **HYDROFLO**



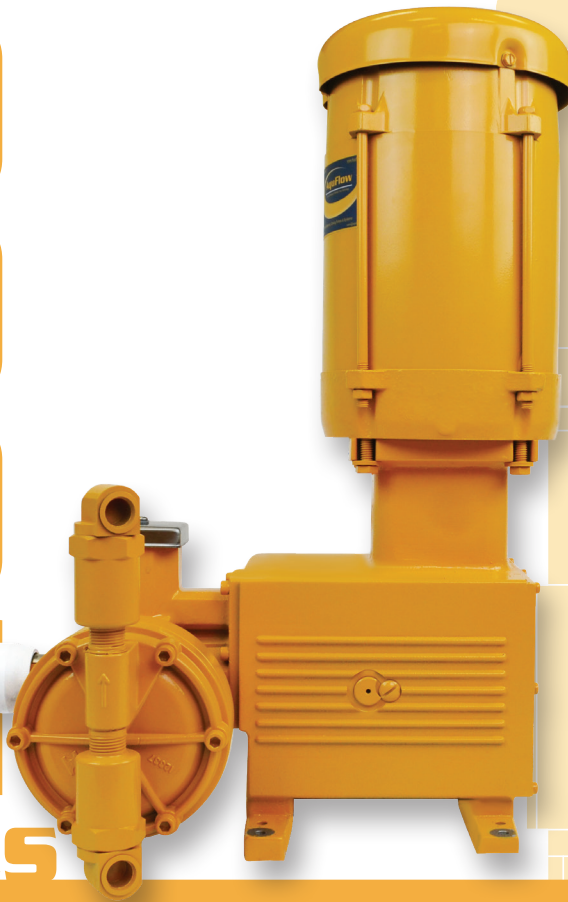
### Complies with API 675 Standards



Manufactured in the USA

# SERIES 2000

# 2000 SERIES



## Features

- Flow capacities up to 180 GPH (Duplex)
- Pressure up to 1,800 PSI
- Modular design in aluminum housing
- Metering Accuracy +/- 1%
- Easy capacity controls - Manual/Auto
- Built-in Safety - Internal Relieve Valve
- Available in Duplex to double flow capacity
- Ability to handle difficult liquids like slurries, off-gasing, and high viscosity liquids

## Specifications

Flow capacity adjustment: 0-100%  
While the pump is **running** or **stopped**

### Turndown Ratio

Stroke length - 20:1  
Stroke frequency - 10:1  
Combined - 200:1

### Metering Accuracy

Steady state: +/- 1%  
Linearity: +/- 1%  
Combined: +/- 1%

### Maximum process fluid temperature

Custom engineered metallic liquid end: 500°F (260°C)  
Metallic liquid end/PTFE diaphragm: 250°F (121°C)  
Plastic head: 140°F (60°C)

### Hydraulic Oil

Oil capacity: 4 qt.

### Plunger Stroke

Stroke length: 1-1/2"

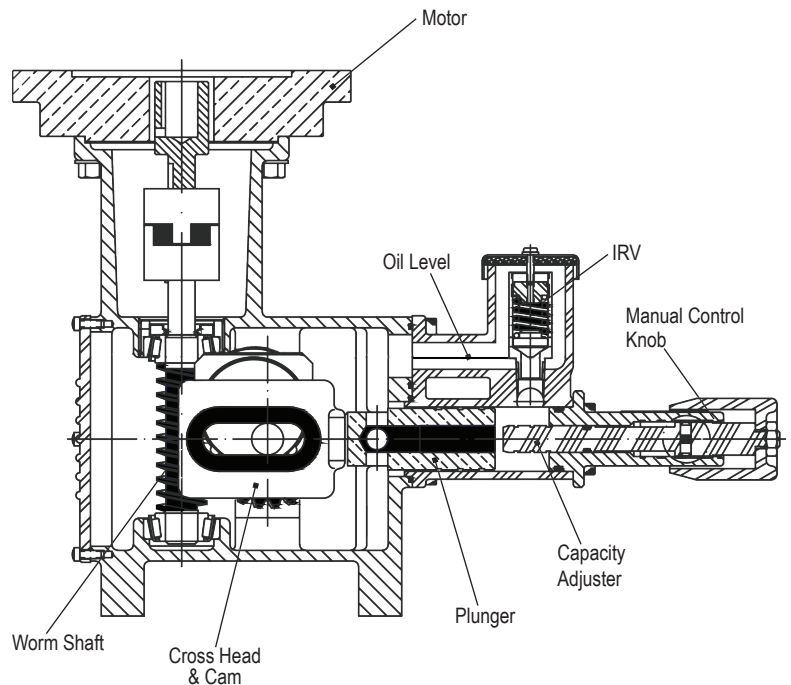
### Displacement per stroke - by plunger size

5/8" - 0.2938 cu. in. (4.81 mL)  
3/4" - 0.6976 cu. in. (11.43 mL)  
1" - 1.1334 cu. in. (18.57 mL)  
1-1/4" - 1.8757 cu. in. (30.77 mL)  
1-1/2" - 2.0797 cu. in. (34.08 mL)

### Liquid End Material Options

316 SS, Alloy 20, Hastelloy C, PVC, PVDF

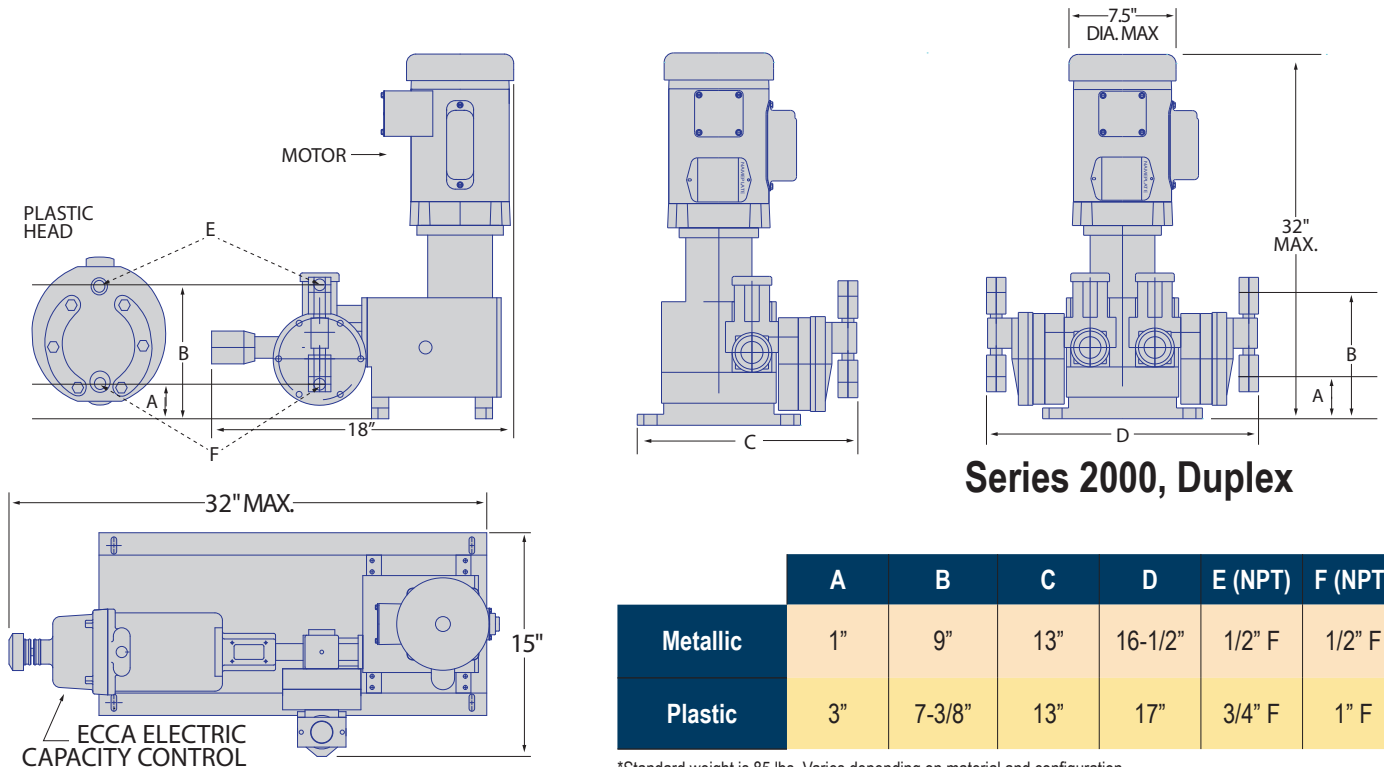
## Cross Section



Pump Model Number	Capacity GPH ( LPH)	Pressure PSI (bars)	Speed SPM	Plunger Diameter	Connection (Metallic - NPT)
CD3T 0529-0X014	2.84(10.75)	1,800 (124)	29	5/8"	3/8"
CD3T 0558-0X014	5.69 (21.5)		58		
CD3T 0597-0X014	9.51 (36)		97		
CD3T 0512-0X014	11.47 (43.4)		117		
CD3T 0514-0X014	13.73 (51.9)		140		
CD3T 0519-0X014	18.73 (70.9)		191		
CD3T 0629-0X014	4.7 (17.8)	1,000 (69)	29	3/4"	3/8"
CD3T 0658-0X014	9.4 (35.6)		58		
CD3T 0697-0X014	15.7 (59.8)		97		
CD3T 0612-0X014	19.0 (71.9)		117		
CD3T 0614-0X014	22.7 (85.6)		140		
CD3T 0619-0X014	30.99 (117.3)		191		
CD3T 0829-0X014	7.68 (28.8)	360 (25)	29	1"	1/2"
CD3T 0858-0X014	15.37 (57.5)		58		
CD3T 0897-0X014	25.7 (96.1)		97		
CD3T 0812-0X014	31.0 (115.8)		117		
CD3T 0814-0X014	37.09 (138.9)		140		
CD3T 0819-0X014	50.61 (189.3)		191		
CD3T 1029-0X014	12.67 (45.4)	210 (14)	29	1-1/4"	3/8" M
CD3T 1058-0X014	25.35 (90.8)		58		1/2" F
CD3T 1097-0X018	42.39 (151.4)		97		
CD3T 1012-0X018	51.13 (185.5)		117	3/8" M	
CD3T 1014-0X018	61.18 (227.1)		140		
CD3T 1019-0X018	83.47 (302.8)		191		
CD3T 1229-0X014	14.13 (53.48)	195 (13)	29	1-1/2"	1/2" F
CD3T 1258-0X015	28.25 (106.9)		58		
CD3T 1297-0X018	47.25 (178.8)		97		
CD3T 1212-0X018	57 (215.8)		117		
CD3T 1214-0X018	68.19 (258.1)		140		
CD3T 1219-0X018	93 (352)		191		

X = 4 for 316 SS, 5 for ALLOY 20, 6 for HAST C, 8 for PVC, A for PVDF | Performance curves for all models & series on page 18 and 19

## Dimensions Shown: Typical Series 2000 Model with Metallic Liquid End and 1/2" NPTF Discharge/Suction Connections



## Series 2000 with ECCA

# ACCESSORIES



## Calibration Columns:

- Help calibrate the pump accurately
- Should be based on the flow rate and chemical compatibility to the fluid
- Available as 0-10 liters in PVC, Stainless Steel, etc



## Back Pressure Valves:

- Maintain steady shut off pressure for valves
- Allow for repeatability of a constant fluid discharge per stroke
- Available as 3/8" to 2" in PVC, Stainless Steel, Alloy 20, PVDF and Hastelloy C



## Safety Relief Valves:

- For additional layer of safety from over pressurization
- Used when pumps are capable of higher pressure than the discharge line pressure
- Available as 3/8" to 2" in PVC, Stainless Steel, Alloy 20, PVDF and Hastelloy C

## Pressure Gauge with Isolator:

- To visually see the functionality of the pump
- Isolator separates internal components from chemicals
- Available in PVC, Stainless Steel, Alloy 20, PVDF and Hastelloy C



## Flow Meters:

- Detect low flow rate as low as 1.8 GPH
- Compatible with most chemicals

## Strainers:

- To keep the debris away from check valves

## Pulsation Dampeners:

- To get a pulse-less, steady flow
- Removes a high degree of pulsing and surging in the line
- Available as 0-10 liters in PVC, Stainless Steel, Alloy 20, PVDF and Hastelloy C



## STANDARD RANGE OF CHEMINJECTOR PACKAGES

### CHEMINJECTOR BASIC ASSEMBLY

Essential accessories like Back Pressure Valve, Pressure Relief Valve, Inlet and Discharge Valves, Connecting piping mounted on a simple skid along with the pump and motor.

### CHEMINJECTOR STANDARD SYSTEM

In addition to the Basic Assembly components, we add Calibration Column, Inlet Strainer, Pressure Gauge with Isolator, Control Panel with On / Off Switch.

### CHEMINJECTOR AUTO SYSTEM

This includes automation controls which can be communicated with a 4-20mA signal from a computer or a SCADA. Capacity is adjusted with either a VFD or ECCA (Stroke Adjuster).

### CHEMINJECTOR AUTO PLUS SYSTEM

This also includes a feedback loop from a Flow Meter to ensure the accurate delivery of the chemical. This system also comes with an optional memory for record keeping.

### CHEMINJECTOR AUTO PLUS REMOTE CONTROL SYSTEM

As the name suggests, this system has the additional capability to be controlled remotely using a radio signal or over the internet using a computer, tablet or smart phone.



## Most Complete Line of Pumps

**S 900 - 0 to 3.0 GPH, 0 to 3000 PSI**

**S 1000 - 0 to 62 GPH, 0 to 3000 PSI**

**S 2000 - 0 to 112 GPH, 0 to 1800 PSI**

**S 3000 - 0 to 482 GPH, 0 to 700 PSI**

**S 4000 - 0 to 3530 GPH, 0 to 3500 PSI**

## Corrosion Resistant Materials

**316 Stainless Steel, Alloy 20, Hastelloy C,  
PVC, PVDF, Acrylic**

## ChemInjector Chemical Systems

**Complete customized chemical system**

**Uninterrupted chemical delivery**

**Perfectly matched accessories**

**Controls that are user friendly**

**All components proven to work together**

**Easy to operate, maintain and service**

**No downtime with parts availability**

## AQUFLOW WARRANTY - INDUSTRY LEADING

For Hydraulic diaphragm metering pumps manufactured in the USA!

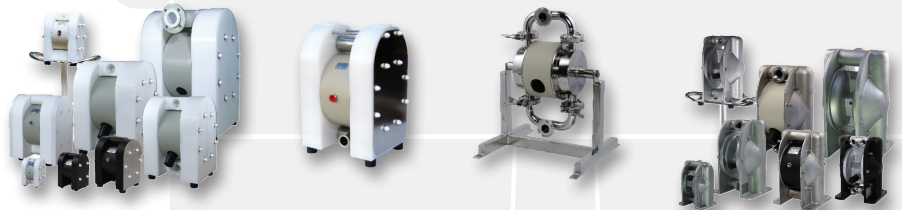
AquFlow has been manufacturing premium quality hydraulic diaphragm metering pumps for over 46 years since 1972. We have refined the design and perfected the performance over that period to earn a reputation as a maker of long-lasting durable pumps that never quit. We have numerous testimonials from our customers who had made the change from competitive pumps to AquFlow never to buy another brand again.

It is with this confidence that AquFlow offers a limited warranty for all its hydraulic diaphragm metering pumps that are manufactured in Irvine, California, USA up to 3 years on all pre-qualifications and registered applications.

## OTHER PUMP LINES WE CARRY INCLUDE:

### TAPFLO AIR OPERATED DIAPHRAGM PUMPS

Tapflo America sells high end Air Operated Diaphragm pumps made by Tapflo, a Sweden based manufacturer. Tapflo has a complete line of AODD pumps made out of corrosion resistant plastics and metals. Their plastic pump housings are machined out of solid block of material which ensure tighter tolerances and hence better sealing surfaces. This ensures longer leak-free life in comparison to molded plastic pumps.



Tapflo is also known for their line of sanitary and pharmaceutical pumps. Tapflo makes the only USP Class VI certified line of pharmaceutical pumps. Flow rates over 212 GPM in sizes up to 3" inlet and outlet.



**AquFlow**  
1642 McGaw Avenue  
Irvine, CA 92614 USA  
sales@aquflow.com

**Ph: 949-757-1753**  
**Fax: 949-757-1687**  
**www.aquflow.com**

**Follow Us:**  
   **AQUFLOW**  
 **AQUFLOWPUMPS**