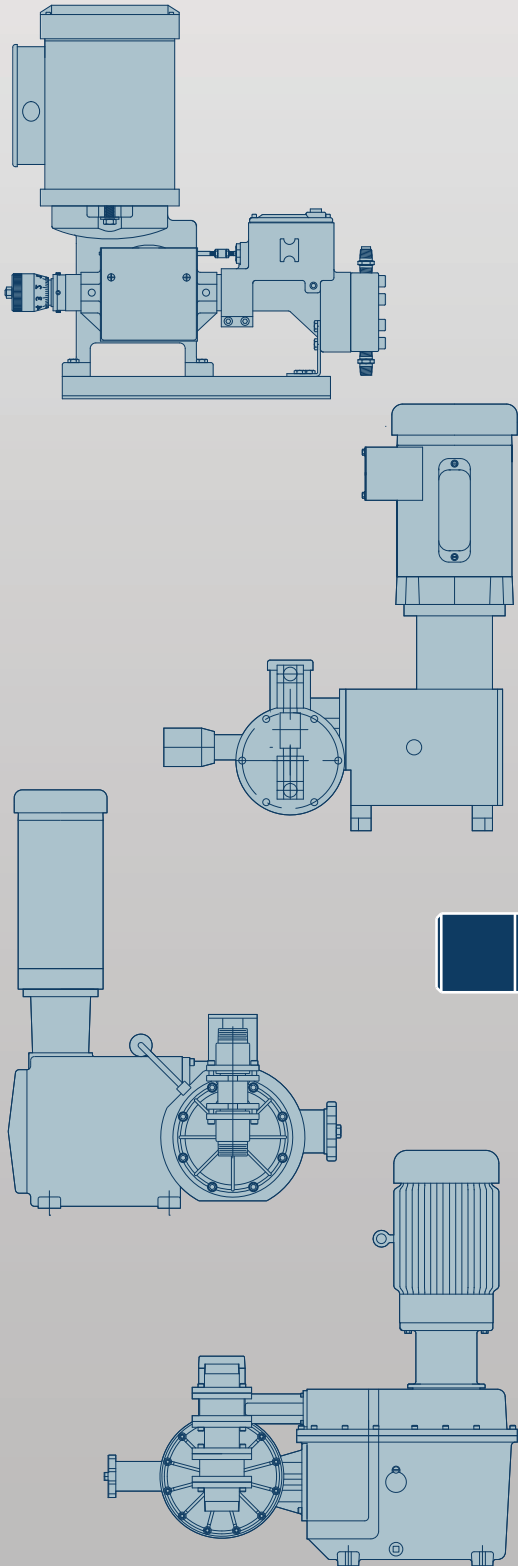


AquFlow

Metering Pumps & Systems

The Legendary Brand in Metering Pumps

Formerly Known as **HYDROFLO**



Complies with API 675 Standards



Manufactured in the USA

SERIES 1000

1000 SERIES



Features

- Flow capacities up to 123 GPH (Duplex)
- Pressure up to 3,000 PSI
- Unibody Design - Less Parts
- Metering Accuracy +/- 1%
- Easy capacity controls - Manual/Auto
- Built-in Safety - Internal Relieve Valve
- Available in Duplex to double flow capacity
- Ability to handle difficult liquids like slurries, off-gassing, and high viscosity liquids

Specifications

Flow capacity adjustment: 0-100%
While the pump is **running** or **stopped**

Turndown Ratio

Stroke length - 10:1
Stroke frequency - 10:1
Combined - 100:1

Metering Accuracy

Steady state: +/- 1%
Linearity: +/- 1%
Combined: +/- 1%

Maximum process fluid temperature

Custom engineered metallic liquid end: 500°F (260°C)
Metallic liquid end/PTFE diaphragm: 250°F (121°C)
Plastic head: 140°F (60°C)

Hydraulic Oil

Oil capacity: 2 qt. (simplex)
3 qt. (duplex)

Plunger Stroke

Stroke length: 3/4"

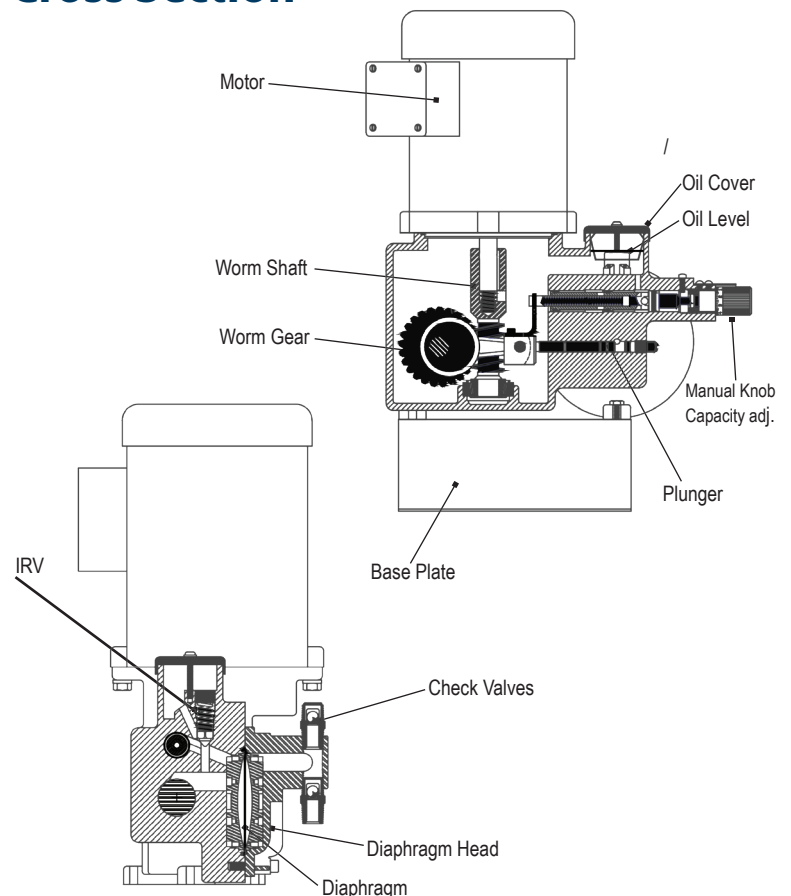
Displacement per stroke - by plunger size

3/8" - 0.0857 cu. in. (1.353 mL)
9/16" - 0.18595 cu. in. (3.047 mL)
3/4" - 0.33073 cu. in. (5.419 mL)
7/8" - 0.450246 cu. in. (7.378 mL)
1-1/8" - 0.78649 cu. in. (12.888 mL)
1-5/8" - 1.5537 cu. in. (25.461 mL)

Liquid End Material Options

316 SS, Alloy 20, Hastelloy C, PVC, PVDF and Acrylic

Cross Section



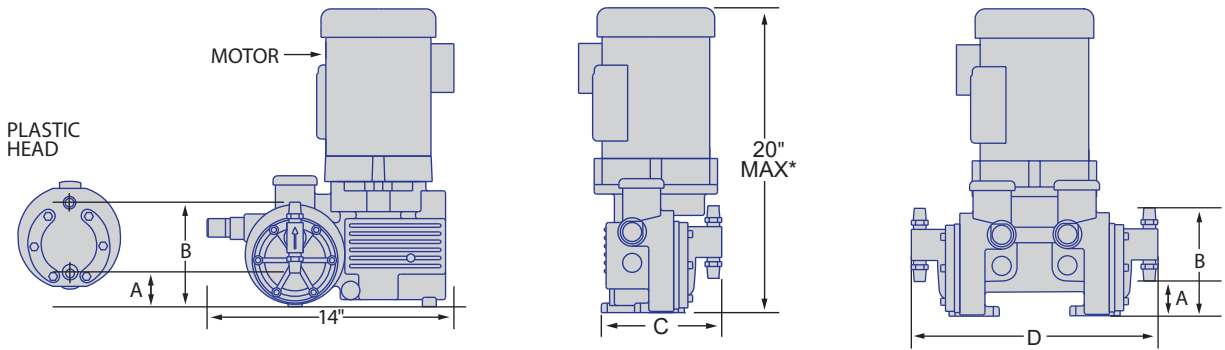
Performance Table

Pump Model Number	Capacity GPH (LPH)	Pressure PSI (bars)	Speed SPM	Plunger Diameter	Connection (Metallic - NPT)
CA4T 3829-0X013	0.55 (2.1)	3000 (206)	2	3/8"	1/4"
CA4T 3858-0X013	1.10 (4.2)		58		
CA4T 3897-0X013	1.85 (7.0)		97		
CA4T 3812-0X013	2.25 (8.5)		117		
CA4T 3814-0X013	2.70 (10.2)		140		
CA4T 3817-0X013	3.28 (12.4)		170		
CJ4T 5629-0X014	1.25 (4.7)	2,000 (137)	29	9/16"	3/8"
CJ4T 5658-0X014	2.50 (9.5)		58		
CJ4T 5697-0X014	4.20 (15.9)		97		
CJ4T 5612-0X014	5.25 (19.87)		117		
CJ4T 5614-0X014	6.09 (23.1)		140		
CJ4T 5617-0X014	7.40 (28.0)		170		
CJ4T 7529-0X014	2.25 (8.5)	1,100 (75)	29	3/4"	3/8"
CJ4T 7558-0X014	4.50 (17.1)		58		
CJ4T 7597-0X014	7.50 (28.4)		97		
CJ4T 7512-0X014	9.05 (34.3)		117		
CJ4T 7514-0X014	10.80 (40.9)		140		
CJ4T 7517-0X014	13.28 (50.27)		170		
CJ4T 8729-0X014	3.05 (11.5)	700 (48)	29	7/8"	3/8"
CJ4T 8758-0X014	6.10 (23.0)		58		
CJ4T 8797-0X014	10.20 (38.6)		97		
CJ4T 8712-0X014	12.50 (47.3)		117		
CJ4T 8714-0X014	14.70 (55.6)		140		
CJ4T 8717-0X014	17.90 (67.8)		170		
CJ4T 11329-0X014	5.33 (20.2)	400 (48)	29	1-1/8"	3/8"
CJ4T 11358-0X014	10.60 (40.1)		58		
CJ4T 11397-0X014	17.80 (67.4)		97		
CJ4T 11312-0X014	22.0 (83.3)		117		
CJ4T 11314-0X014	25.70 (97.3)		140		
CJ4T 11317-0X014	31.27 (118.3)		170		

X = 4 for 316 SS, 5 for ALLOY 20, 6 for HAST C, 8 for PVC, A for PVDF | Performance curves for all models & series on page 18 and 19

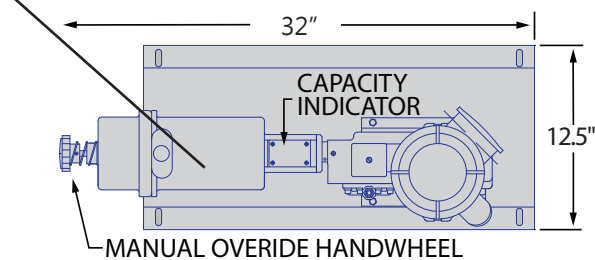
Dimensions

Shown: Typical Series 1000 Model with Metallic Liquid End and 3/8" NPTM (NATIONAL PIPE THREAD MALE)



Series 1000, Duplex

ECCA (Electronic Capacity Control Adjuster)



Series 1000 with ECCA

	A	B	C	D	E (NPT)	F (NPT)
Metallic	1-3/4"	5-1/2"	6-1/3"	13"	3/8" M	3/8" M
Plastic**	1-1/4"	5"	7-1/2"	14"	3/4" F	1/2" F
Plastic on 3-1/4 Base	4-1/2"	8-1/4"	7-1/2"	--	3/4" F	1/2" F

*Standard Motor. Subject to change depending on motor specs.

**Plastic liquid end material pump always supplied w/ base.

***Standard weight is 70 lbs. Varies depending on material and configuration.

ACCESSORIES



Calibration Columns:

- Help calibrate the pump accurately
- Should be based on the flow rate and chemical compatibility to the fluid
- Available as 0-10 liters in PVC, Stainless Steel, etc



Back Pressure Valves:

- Maintain steady shut off pressure for valves
- Allow for repeatability of a constant fluid discharge per stroke
- Available as 3/8" to 2" in PVC, Stainless Steel, Alloy 20, PVDF and Hastelloy C



Safety Relief Valves:

- For additional layer of safety from over pressurization
- Used when pumps are capable of higher pressure than the discharge line pressure
- Available as 3/8" to 2" in PVC, Stainless Steel, Alloy 20, PVDF and Hastelloy C

Pressure Gauge with Isolator:

- To visually see the functionality of the pump
- Isolator separates internal components from chemicals
- Available in PVC, Stainless Steel, Alloy 20, PVDF and Hastelloy C



Flow Meters:

- Detect low flow rate as low as 1.8 GPH
- Compatible with most chemicals

Strainers:

- To keep the debris away from check valves

Pulsation Dampeners:

- To get a pulse-less, steady flow
- Removes a high degree of pulsing and surging in the line
- Available as 0-10 liters in PVC, Stainless Steel, Alloy 20, PVDF and Hastelloy C



STANDARD RANGE OF CHEMINJECTOR PACKAGES

CHEMINJECTOR BASIC ASSEMBLY

Essential accessories like Back Pressure Valve, Pressure Relief Valve, Inlet and Discharge Valves, Connecting piping mounted on a simple skid along with the pump and motor.

CHEMINJECTOR STANDARD SYSTEM

In addition to the Basic Assembly components, we add Calibration Column, Inlet Strainer, Pressure Gauge with Isolator, Control Panel with On / Off Switch.

CHEMINJECTOR AUTO SYSTEM

This includes automation controls which can be communicated with a 4-20mA signal from a computer or a SCADA. Capacity is adjusted with either a VFD or ECCA (Stroke Adjuster).

CHEMINJECTOR AUTO PLUS SYSTEM

This also includes a feedback loop from a Flow Meter to ensure the accurate delivery of the chemical. This system also comes with an optional memory for record keeping.

CHEMINJECTOR AUTO PLUS REMOTE CONTROL SYSTEM

As the name suggests, this system has the additional capability to be controlled remotely using a radio signal or over the internet using a computer, tablet or smart phone.



Most Complete Line of Pumps

S 900 - 0 to 3.0 GPH, 0 to 3000 PSI

S 1000 - 0 to 62 GPH, 0 to 3000 PSI

S 2000 - 0 to 112 GPH, 0 to 1800 PSI

S 3000 - 0 to 482 GPH, 0 to 700 PSI

S 4000 - 0 to 3530 GPH, 0 to 3500 PSI

Corrosion Resistant Materials

**316 Stainless Steel, Alloy 20, Hastelloy C,
PVC, PVDF, Acrylic**

ChemInjector Chemical Systems

Complete customized chemical system

Uninterrupted chemical delivery

Perfectly matched accessories

Controls that are user friendly

All components proven to work together

Easy to operate, maintain and service

No downtime with parts availability

AQUFLOW WARRANTY - INDUSTRY LEADING

For Hydraulic diaphragm metering pumps manufactured in the USA!

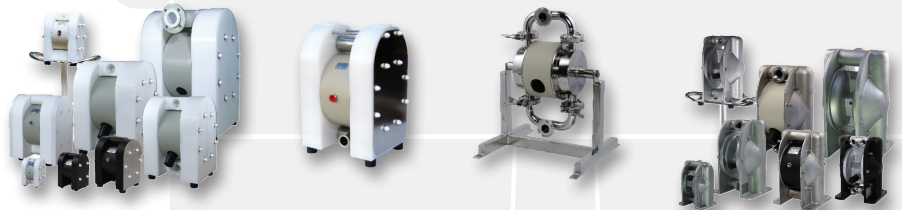
AquFlow has been manufacturing premium quality hydraulic diaphragm metering pumps for over 46 years since 1972. We have refined the design and perfected the performance over that period to earn a reputation as a maker of long-lasting durable pumps that never quit. We have numerous testimonials from our customers who had made the change from competitive pumps to AquFlow never to buy another brand again.

It is with this confidence that AquFlow offers a limited warranty for all its hydraulic diaphragm metering pumps that are manufactured in Irvine, California, USA up to 3 years on all pre-qualifications and registered applications.

OTHER PUMP LINES WE CARRY INCLUDE:

TAPFLO AIR OPERATED DIAPHRAGM PUMPS

Tapflo America sells high end Air Operated Diaphragm pumps made by Tapflo, a Sweden based manufacturer. Tapflo has a complete line of AODD pumps made out of corrosion resistant plastics and metals. Their plastic pump housings are machined out of solid block of material which ensure tighter tolerances and hence better sealing surfaces. This ensures longer leak-free life in comparison to molded plastic pumps.



Tapflo is also known for their line of sanitary and pharmaceutical pumps. Tapflo makes the only USP Class VI certified line of pharmaceutical pumps. Flow rates over 212 GPM in sizes up to 3" inlet and outlet.



AquFlow
1642 McGaw Avenue
Irvine, CA 92614 USA
sales@aquflow.com

Ph: 949-757-1753
Fax: 949-757-1687
www.aquflow.com

Follow Us:
   **AQUFLOW**
 **AQUFLOWPUMPS**